

***Insight 4K Laser Series***

---



**3** Super High Brightness Digital Video Projector  
**Important Information**

33 超高亮度数字视频投影机  
重要信息

## Digital Projection

---

### Digital Projection Limited

Greenside Way, Middleton  
Manchester M24 1XX, UK

*Registered in England No. 2207264*  
*Registered Office: as above*

Tel        (+44) 161 947 3300  
Fax        (+44) 161 684 7674

enquiries@digitalprojection.co.uk  
service@digitalprojection.co.uk

www.digitalprojection.co.uk

### Digital Projection Inc.

55 Chastain Road, Suite 115  
Kennesaw, GA 30144, USA

Tel        (+1) 770 420 1350  
Fax        (+1) 770 420 1360

powerinfo@digitalprojection.com  
www.digitalprojection.com

### Digital Projection China

中国 北京市 朝阳区 芍药居北里101号  
世奥国际中心A座2006室(100029)

Rm A2006  
ShaoYaoJu 101 North Lane  
Shi Ao International Center  
Chaoyang District  
Beijing 100029, PR CHINA

Tel        (+86) 10 84888566  
Fax        (+86) 10 84888566-805

techsupport@dp-china.com.cn  
www.dp-china.com.cn

### Digital Projection Asia

16 New Industrial Road  
#02-10 Hudson Technocentre  
Singapore 536204

Tel        (+65) 6284-1138  
Fax        (+65) 6284-1238

www.digitalprojectionasia.com

# Super High Brightness Digital Video Projector

## Important Information

### Contents

Symbols used in the User Manual .....	4
Electrical and physical specifications .....	4
Non-accessible laser parameters .....	4
Labels .....	5
<i>Product Label</i> .....	5
<i>Other labels</i> .....	6
<i>Label locations</i> .....	7
Location of laser aperture .....	7
Interlock switches .....	8
<i>Location</i> .....	8
<i>Interlock switch control block diagram</i> .....	8
Important safeguards .....	9
<i>Laser precautions</i> .....	9
<i>General precautions</i> .....	10
<i>Installation and handling</i> .....	10
<i>Light hazard warning</i> .....	13
<i>Power supply</i> .....	14
<i>Fire and shock precautions</i> .....	15
<i>Cleaning</i> .....	16
<i>Light module</i> .....	16
<i>Networking configuration</i> .....	16
Compliance with international standards .....	17
<i>RF Interference</i> .....	17
<i>Machine Noise Information Regulation</i> .....	17
<i>European Waste Electrical and Electronic Equipment (WEEE) Directive</i> .....	17
<i>DOC compliance notice</i> .....	17
Basic Operation Instructions .....	18
<i>Positioning the screen and projector</i> .....	18
<i>Connecting the power supply</i> .....	19
<i>Switching the projector off</i> .....	20
<i>Selecting a title</i> .....	21
<i>Selecting a test pattern</i> .....	22
<i>Adjusting the lens</i> .....	23
<i>Adjusting the brightness of the projected image (Light Setup)</i> .....	24
<i>Inserting a new lens</i> .....	25
<i>Cleaning and replacing the rear air filters</i> .....	27
<i>Cleaning and replacing the front air filter</i> .....	30
Control Panel Reference .....	32

Full information about operating, connecting and setting up the projector can be found in the User Manual, located on the CD.

## Symbols used in the User Manual

---



**LASER HAZARD WARNING:** this symbol indicates that there is a potential hazard of eye exposure to laser radiation unless the instructions are closely followed.



**LIGHT HAZARD WARNING:** this symbol indicates that there is a danger of exposure to intensive light that may result in personal injury unless the instructions are closely followed.



**ELECTRICAL WARNING:** this symbol indicates that there is a danger of electrical shock unless the instructions are closely followed.



**WARNING:** this symbol indicates that there is a danger of physical injury to yourself and/or damage to the equipment unless the instructions are closely followed.



**NOTE:** this symbol indicates that there is some important information that you should read.



*Specifications are subject to change without notice.*

## Electrical and physical specifications

---

Mains Voltage	200-240 VAC 50-60 Hz (single phase)
Operating Temperature	0°C to 40°C (32 to 104F)
Storage Temperature	-10°C to 50°C (14 to 122F)
Operating Humidity	20% to 80% non-condensing
Weight	67 kg (148 lb) without lens
Power Consumption	1600 W
Thermal Dissipation	5027 BTU/hr

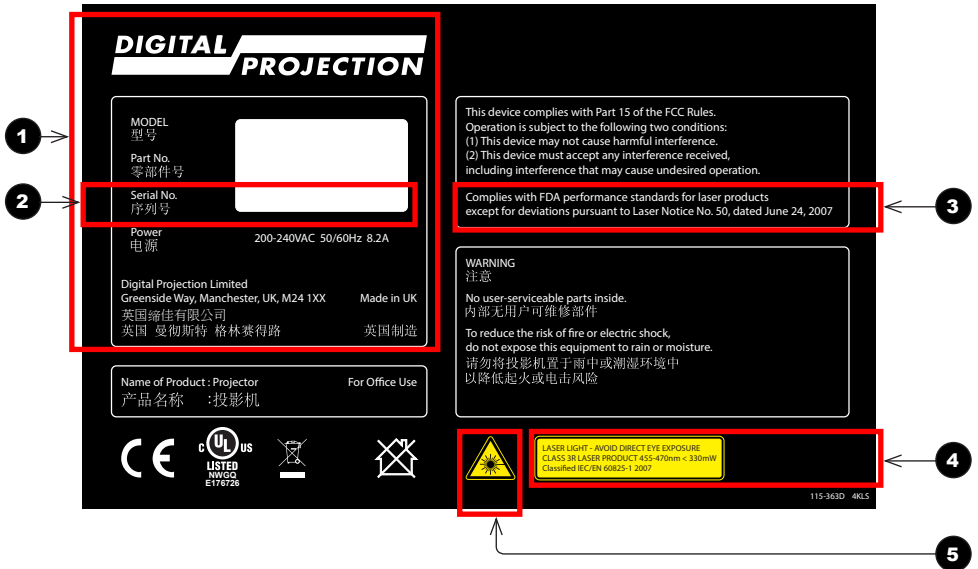
## Non-accessible laser parameters

---

Wavelength	435 - 462 nm
Laser Power for classification	< 330 mW
Total internal power	< 35 W
Apparent Source Size	< 10 mm at aperture
Divergence	≤ ± 7.3 - 28°, lens dependent
Mode of operation	CW
Modulation, due to frame rate	23 - 192 Hz

## Labels

### Product Label



Within the Product Label:

- 1 Manufacturer's Identification**  
Manufacturer's name, address and projector model name
- 2 Serial Number**
- 3 Certification Statement**  
Complies with FDA performance standards for laser products  
except for deviations pursuant to Laser Notice No. 50, dated June 24, 2007
- 4 Explanatory Label**  
Laser light - avoid direct eye exposure  
Class 3R laser product 455-470 nm < 330 mW  
Classified IEC/EN 60825-1 2007
- 5 Laser Hazard Warning Symbol**

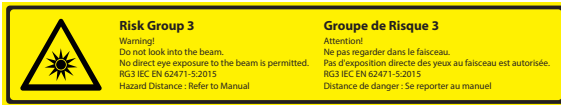
## Other labels

### *Not For Home Use*



This logo indicates that the product is not intended for home use.

### *Risk Group 3 Label*

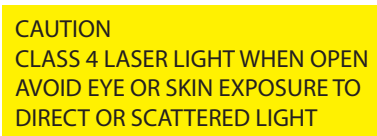


Risk Group 3 warning label: indicates a potential optical radiation hazard emitted from this product. Thermal radiation emitted from this product may cause burns.

### *Aperture Label with Hazard Warning Symbol*



### *Protective Housing Label (optionally interlocked)*

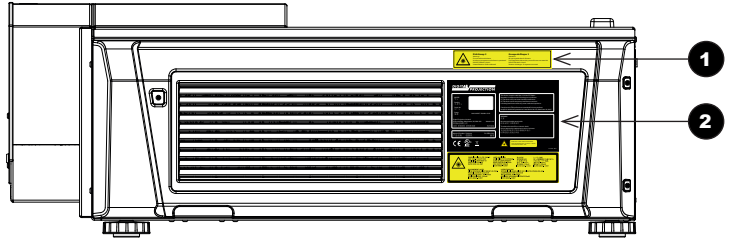


Due to the product having no customer service access, the Protective Housing Label is not present on the exterior of the product. Protective Housing Labels are only used on the interior of the product. The label is located under the top cover.

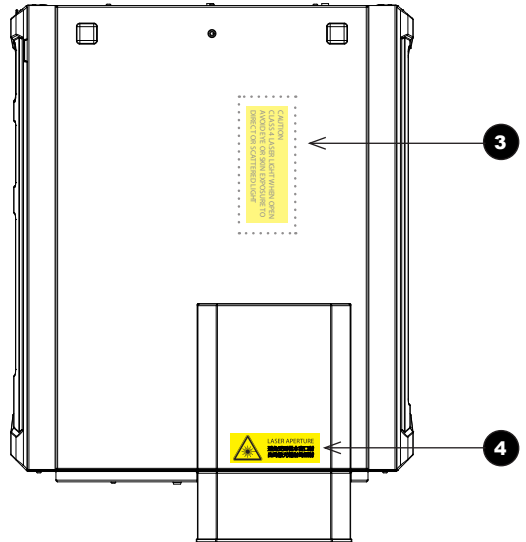


See **Label locations** for further information.

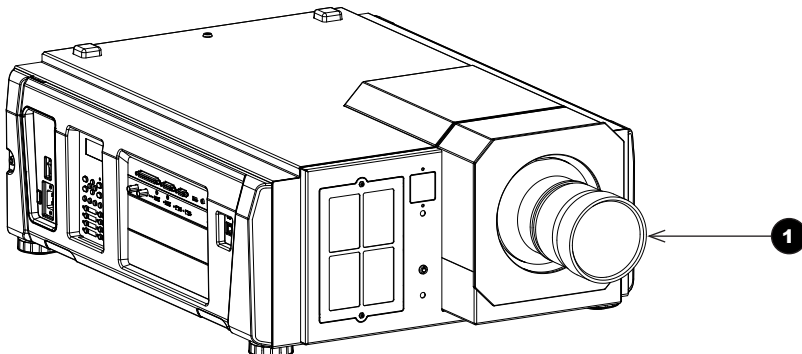
### Label locations



- 1** Risk Group 3 Label
- 2** Product Label
- 3** Protective Housing Label (under the top cover and only visible to service personnel)
- 4** Aperture Label with Hazard Warning Symbol



### Location of laser aperture

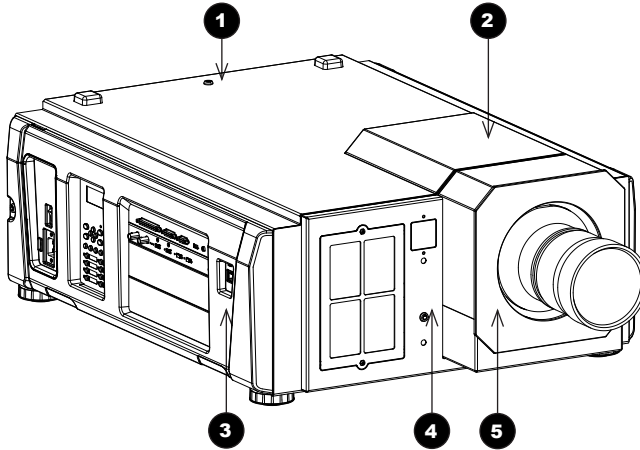


- 1** Laser aperture

## Interlock switches

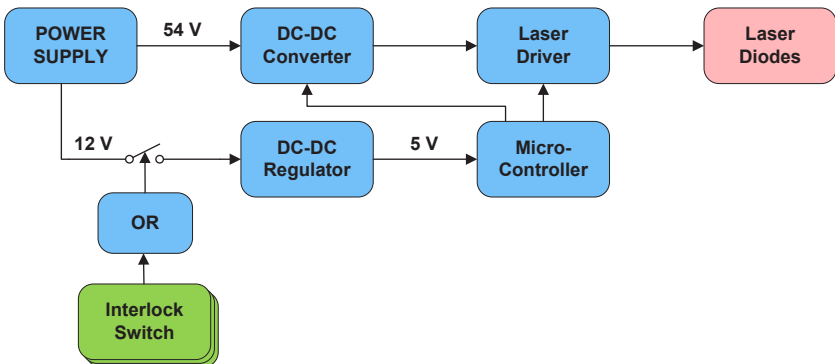
Five interlock switches installed at the main frame, inside the cover, will power-off the system individually when activated.

### Location



- 1** Will be activated when the top cover is removed.
- 2** Will be activated when the lens is removed.
- 3** Will be activated when the side cover is removed.
- 4** x2. Will be activated when the front cover is removed.
- 5** Will be activated when the lens access cover is removed.

### Interlock switch control block diagram





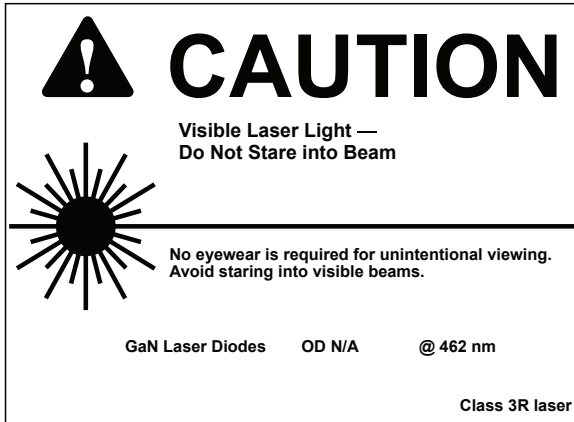
## Important safeguards

---

These safety instructions are to ensure the long life of your projector and to prevent fire, shock, damage and injury. Please read them carefully and heed all warnings.

### Laser precautions

This product is classified as Class 3R of IEC60825-1 and 21 CFR Part 1040.10 Safety Standards.



#### CLASS 3R LASER PRODUCT

This Laser Product is designated as Class 3R during all procedures of operation.

**LASER LIGHT - AVOID DIRECT EYE EXPOSURE.**

Do not point laser or allow laser light to be directed or reflected toward other people or reflective objects.

Direct or scattered light can be hazardous to eyes and skin.

There is a potential hazard of eye exposure to laser radiation if the included instructions are not followed.

Caution – use of controls or adjustments or performance of procedures other than those specified herein may result in hazardous radiation exposure.

## General precautions



This is a Class A product. It has been tested and found to comply with the limits for a Class A digital device, pursuant to Part 15 of the FCC Rules. These limits are designed to provide reasonable protection against harmful interference when the equipment is operated in a commercial environment.

Operation of this equipment in a residential area is likely to cause harmful interference in which case the user will be required to correct the interference at his own expense.

In order to reduce any interference with radio and television reception, use a signal cable with ferrite core attached. Use of signal cables without a ferrite core attached may cause interference with radio and television reception.



The unit is never to be operated if the unit is defective or the cover or seal is damaged.



The end user is not allowed to open or modify the product.

No maintenance allowed by end user.

Do not open the cabinet. There are no user serviceable parts inside.

No service is allowed except by authorized personnel.

## Installation and handling



The projector must be installed only by suitably qualified personnel, in accordance with local building codes.

Consult your dealer for information about transporting and installing the projector.

Do not attempt to transport and install the projector yourself. The projector must be installed by qualified technicians in order to ensure proper operation and reduce the risk of bodily injury.



Do not point the projection beam toward other people or reflective objects.



The projector should be installed as close to the power outlet as possible.

The power connection should be easily accessible, so that it can be disconnected in an emergency.



Place the projector on a flat, level surface in a dry area away from dust and moisture. Tilting the front of the projector up or down from level could reduce laser life. Do not put the projector on its side when the laser is on. Doing so may cause damage to the projector.



Do not place the projector in direct sunlight, near heaters or heat radiating appliances. Exposure to direct sunlight, smoke or steam could harm internal components.

Do not expose the projector to rain or moisture, and do not place any liquids on top of the projector.

Do not expose the projector to dust.



Handle your projector carefully. Dropping or jarring your projector could damage internal components.

A minimum of four persons are required in order to carry the projector.

Do not hold the projector by the lens. Otherwise the projector may tumble or drop, causing personal injury.



Before installation, make sure that the surface, ceiling or rigging that is to support the projector is capable of supporting the combined weight of the projector and lens.



Do not place heavy objects on top of the projector.



Turn off the projector and disconnect the power cable before moving the projector.



#### CAUTION ON CARRYING THE PROJECTOR / HANDLING THE OPTIONAL LENS

When shipping the projector with the lens, remove the lens before shipping the projector. Always attach the dust cap to the lens whenever it is not mounted on the projector. The lens and the lens shift mechanism may encounter damage caused by improper handling during transportation.



The cooling fan settings need to be configured when using the projector in a location at an altitude of approximately 5500 feet/1600 meters or higher. Consult your dealer in advance.



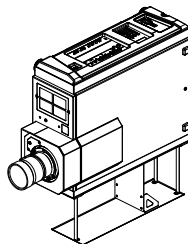
If you wish to have the projector installed on the ceiling:

- Do not attempt to install the projector yourself.
- The projector must be installed by qualified technicians in order to ensure proper operation and reduce the risk of bodily injury.
- In addition, the ceiling must be strong enough to support the projector and the installation must be in accordance with any local building codes.
- Backup safety chains or wires should always be used with ceiling mount installations.

Consult your dealer for more information.



Portrait mode installation requires fitting a safety guard underneath the projector (as shown in the illustration below). Unauthorised personnel should not attempt to carry out portrait mode installation. Please contact Digital Projection or a dealer if you wish to use the projector in portrait mode.





Do not cover the lens with the supplied lens cap or equivalent while the projector is on. Doing so can lead to distorting or melting of the cap and burning your hands due to the heat emitted from the light output.

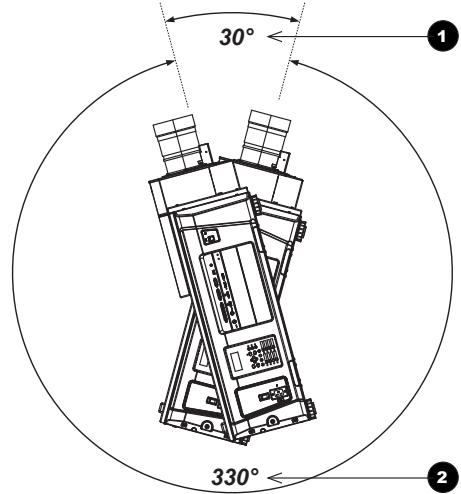
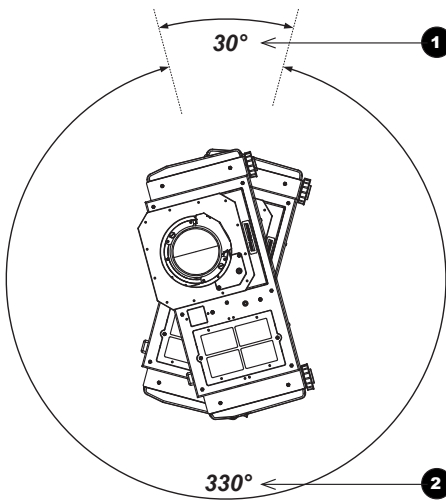
Do not place any objects which are easily affected by heat, in front of the projector lens. Doing so could lead to the object melting from the heat that is emitted from the light output.



The projector can be operated in numerous positions. The only non-workable angles are:

- Portrait mode with inputs facing downward.
- Upright mode with lens pointing upwards.

The diagram below illustrates both positions showing *non-workable angles* 1 and *workable angles* 2.



Projectors are not designed to be stacked on top of each other unless a rigging frame is used.



When stacking projectors, the stack **MUST** be vertical, to ensure that the stresses are distributed to all four chassis corners.

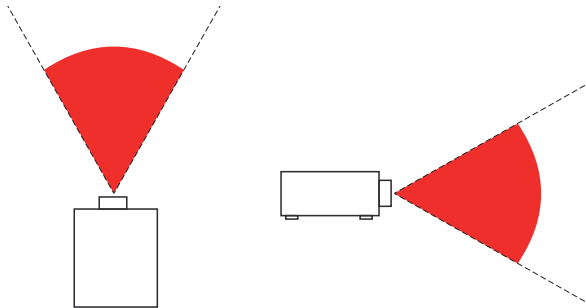
### Light hazard warning

This projector may emit dangerous thermal and optical radiation and is therefore classified as Risk Group 3 according to the IEC62471 standard.



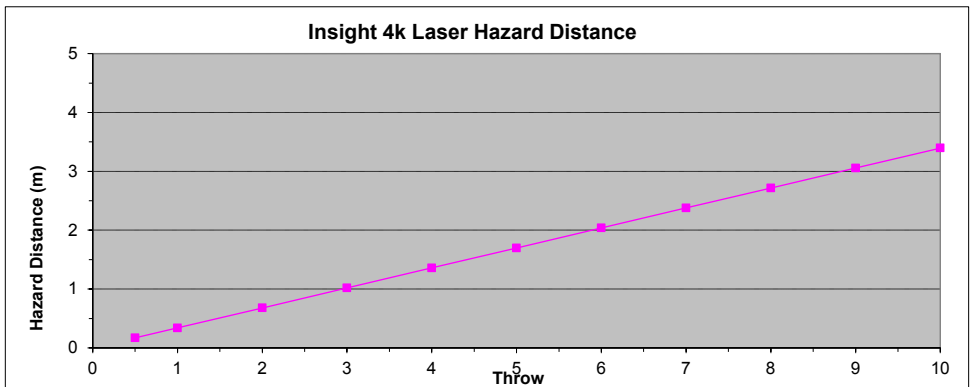
Failure to comply with the following may result in serious injury:

- No direct exposure to the beam must be permitted, RG3 IEC 62471-5:2015.
- Operators must control access to the beam within the hazard distance or install the projector at sufficient height to prevent exposure of spectators' eyes within the hazard distance.



**Fig. 1: hazard distance**

The hazard distance (**Fig. 1**) is the distance measured from the projection lens at which the intensity or energy per unit of surface is lower than the applicable exposure limit on the cornea or skin. If the person is within the hazard distance, the beam is considered unsafe for exposure.



## Power supply



The projector is so designed that it operates with the power supply voltage described below.

- AC200–240V 8.2 A 50/60Hz Single-phase

Ensure that your power supply fits this requirement before attempting to use your projector.

Use only the power cable provided.



Use a power cable that meets the standards and power supply voltage of the country where you are using the projector. Refer to user's manual for details on connecting the power cable.



Ensure that the power outlet includes a Ground connection, as this equipment **MUST** be earthed.



Handle the power cable carefully. A damaged or frayed power cable can cause electric shock or fire.

- Do not bend or tug the power cable excessively.
- Do not place the power cable under the projector, or any heavy object.
- Do not cover the power cable with other soft materials such as rugs.
- Do not heat the power cable.



Placing the power cable and the signal cable closely to each other can cause beat noise. If this happens, keep the two separated so that beat noise is not generated. Beat noise is corruption of the picture often seen as a rolling band moving through the image.



Do not touch the projector or the power plug during a thunder storm. Doing so can cause electrical shock or fire.



When installed on the ceiling, install the breaker in a location that is easy to reach by hand.



Do not unplug the power cable from the wall outlet or projector when the projector is powered on. Doing so can damage the projector. Do not unplug in the following circumstances:

- While projecting images
- While cooling after the projector has been turned off. (The POWER button LED blinks in green while the fan is rotating, and "cooling..." is displayed on the LCD screen. The cooling fan continues to work for 90 seconds.)



Do not turn off the AC power for 90 seconds after the laser is turned on and while the POWER indicator is blinking green.

Doing so could cause premature laser failure.



Use of a wall outlet with a 20 A or more circuit breaker is recommended.

## Fire and shock precautions



Ensure that there is sufficient ventilation and that vents are unobstructed to prevent potentially dangerous concentrations of ozone and the build-up of heat inside your projector. Allow at least 12 inches (30cm) of space between your projector and a wall. In particular, clear a space of 27.6 inches (70 cm) or more in front of the air outlet on the rear surface and 19.8 inches (50 cm) or more in front of the air outlet on the Laser side.



Do not install the projector close to anything that might be affected by its operational heat, for instance, polystyrene ceiling tiles, curtains etc.



Prevent foreign objects such as paper clips and bits of paper from falling into your projector. Do not attempt to retrieve any objects that might fall into your projector. Do not insert any metal objects such as a wire or screwdriver into your projector. If something should fall into your projector, disconnect it immediately and have the object removed by a qualified service person.



Turn off the projector, unplug the power cable and have the projector serviced by a qualified service personnel under the following conditions:

- When the power cable or plug is damaged or frayed.
- If liquid has been spilled into the projector, or if it has been exposed to rain or water.
- If the projector does not operate normally when you follow the instructions described in the user manual.
- If the projector has been dropped or the cabinet has been damaged.
- If the projector exhibits a distinct change in performance, indicating a need for service.



Keep any items such as magnifying glass out of the light path of the projector. The light being projected from the lens is extensive, therefore any kind of abnormal objects that can redirect light coming out of the lens, can cause unpredictable outcome such as fire or injury to the eyes.

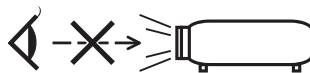


When using a LAN cable, for safety, do not connect to the connector for peripheral device wiring that might have excessive voltage.

Connect the LAN cable only to a computer LAN connection. Other similar connectors may have a dangerously high voltage source.



Do not look into the lens while the projector is on. Serious damage to your eyes could result.



Do not try to touch the air outlets on the projector during normal projector operation as it is hot.

## Cleaning



Turn off the projector and unplug the power cable before cleaning the cabinet or replacing the laser.

Do not touch the projector or the power plug with wet hands. Doing so can cause electrical shock or fire.



Clean the cabinet periodically using a damp, not wet, cloth. If heavily soiled, use a mild detergent. Never use strong detergents or solvents such as alcohol or thinner.

Use a blower or lens paper to clean the lens, and be careful not to scratch or mar the lens.

## Light module



A light module containing multiple laser diodes is included in the product as the light source. These laser diodes are sealed in the light module. No maintenance or service is required for the performance of the light module.

End user is not allowed to replace the light module.

Contact a qualified distributor for light module replacement and further information.

## Networking configuration



Do not make changes to the networking configuration unless you understand what you are doing, or have taken advice from your Network Manager. If you make a mistake, it is possible that you will lose contact with the projector. Always double-check your settings before applying any changes to your networking configuration. Always keep a written note of the original settings, and any changes you have made.

Software update should NOT be carried out except by, or with the supervision of, Digital Projection Service personnel.



## Compliance with international standards

---



### RF Interference

#### FCC

The Federal Communications Commission does not allow any modifications or changes to the unit EXCEPT those specified by Digital Projection in this manual. Failure to comply with this government regulation could void your right to operate this equipment.

This equipment has been tested and found to comply with the limits for a Class A digital device, pursuant with Part 15 of the FCC Rules. These limits are designed to provide reasonable protection against harmful interference when the equipment is operated in a commercial environment. This equipment generates, uses, and can radiate radio frequency energy and, if not installed and used in accordance with the instruction manual, may cause harmful interference to radio communications. Operation of this equipment in a residential area may cause harmful interference, in which case the user will be responsible for correcting any interference.

### Machine Noise Information Regulation

The highest sound pressure level is less than 70 dB (A) in accordance with EN ISO 7779.

### European Waste Electrical and Electronic Equipment (WEEE) Directive



Digital Projection Ltd is fully committed to minimising Waste Electrical and Electronic Equipment. Our products are designed with reuse, recycling and recovery of all components in mind. To this end, at end of life, your projector may be returned to Digital Projection Ltd or its agent so that the environmental impact can be minimised.

### DOC compliance notice

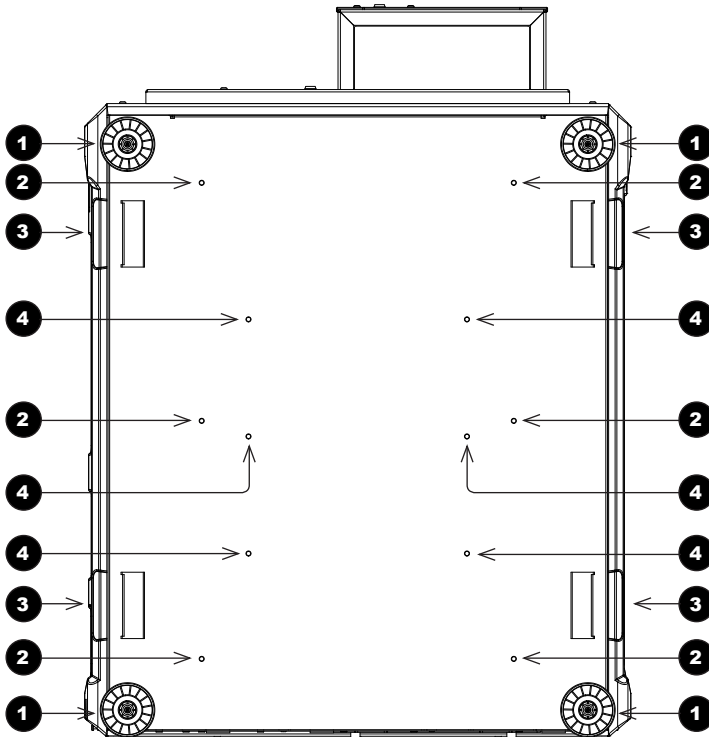
This Class A digital apparatus meets all requirements of the Canadian Interference-Causing Equipment Regulations.

## Basic Operation Instructions

### Positioning the screen and projector

1. Install the screen, ensuring that it is in the best position for viewing by your audience.
2. Mount the projector, ensuring that it is at a suitable distance from the screen for the image to fill the screen. Set the adjustable feet so that the projector is level, and perpendicular to the screen.

The drawing below shows the bottom of the projector. The positions of the feet for table mounting, and the fixing holes for ceiling mounting are clearly visible. The illustration also shows the positions of the four handles which facilitate safe carriage.

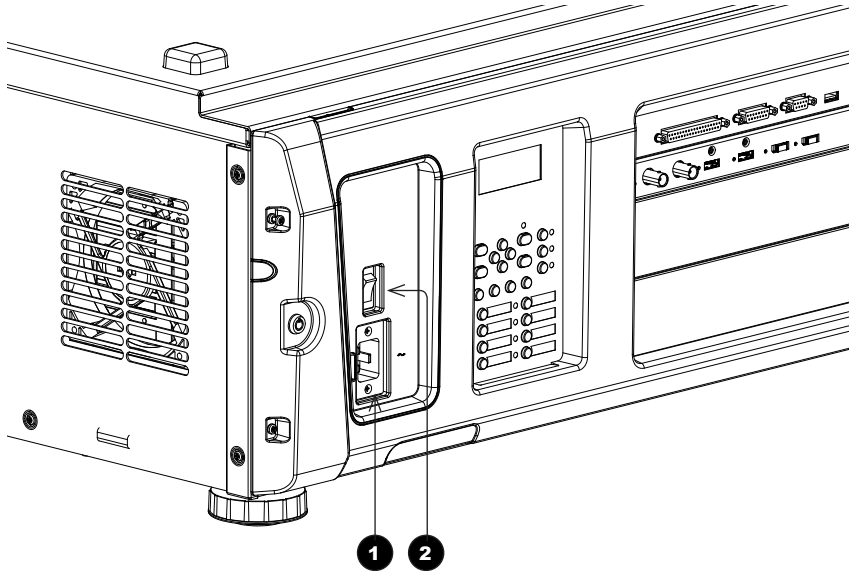


- 1** Four adjustable feet
- 2** Six M6 holes for ceiling mount (set A)  
The screws should not penetrate more than 15 mm into the body of the projector.
- 3** Handles for safe carriage
- 4** Six M6 holes for ceiling mount (set B)  
The screws should not penetrate more than 15 mm into the body of the projector.

## Connecting the power supply

When the projector is viewed from the back, the **AC mains inlet** **1** is located on the right hand side, toward the rear.

Make sure the **power switch** **2** above the inlet is in the OFF position, then push the mains connector in firmly.



Use only the power cable provided.

Ensure that the power outlet includes a ground connection as this equipment **MUST** be earthed.

Handle the power cable carefully and avoid sharp bends. Do not use a damaged power cable.

## Switching the projector on

1. Make sure the power switch above the AC mains inlet is in the OFF position. Connect the power cable between the mains supply and the projector, then turn the power switch on.

 See *Connecting the power supply* above.

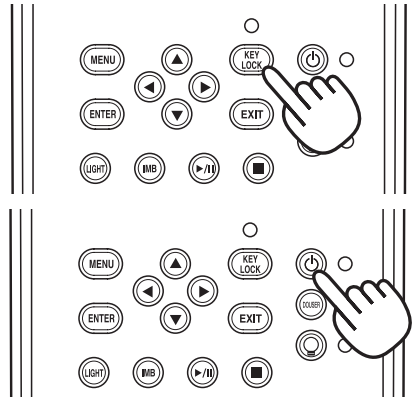
The **SYSTEM** status indicator lights a steady amber to show that the projector is now in STANDBY mode.

2. (*optional step*) If no button is pressed within 30 seconds of the projector entering STANDBY mode, the control panel becomes locked.

To unlock the control panel, press and hold the **KEY LOCK** button for one second or longer.

3. To switch from STANDBY to ON mode, press and hold the **POWER** button for three seconds or longer.

During the startup process, the **SYSTEM** status indicator flashes green. When the projector is fully switched on, the **SYSTEM** status indicator lights a steady green.



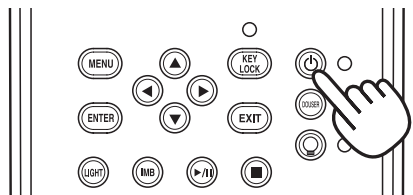
## Switching the projector off

1. Press the **POWER** button for three seconds or longer.

The light source switches off and the projector begins cooling down. During the cooling down process, the **SYSTEM** status indicator flashes amber. The fan continues to work and a message is displayed on the LCD screen to show that the projector is still not switched off.

When the fan switches off, the **SYSTEM** status indicator lights a steady amber to indicate that the projector is now in STANDBY mode.

2. To switch the projector off completely, turn the power switch OFF.



**Do not turn off the projector from the power switch or disconnect the power cord while the projector is working or cooling down.**

**Use only the power cable provided.**

**Ensure that the power outlet includes a ground connection as this equipment MUST be earthed.**

**Handle the power cable carefully and avoid sharp bends. Do not use a damaged power cable.**

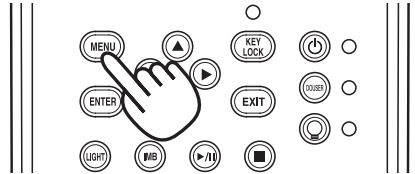
## Selecting a title

Connect the title you wish to display and switch on the input source, then switch on the projector. If necessary, unlock the keypad.

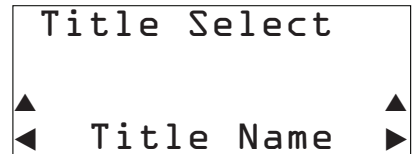
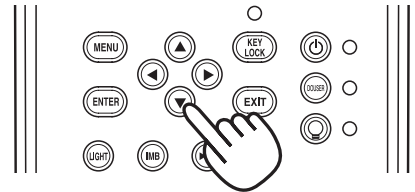
If the title is assigned a shortcut, press the shortcut button and the projector will begin displaying the title.

If there is no shortcut assigned to the title:

1. Press the **MENU** button.
2. Press the **LEFT** or **RIGHT** button to cycle through the list of menus until **Title Select** appears on the LCD screen. The list of menus is as follows:
  - **Title Select**
  - **Configuration**
  - **(Title Setup)**
  - **Information**
  - ...

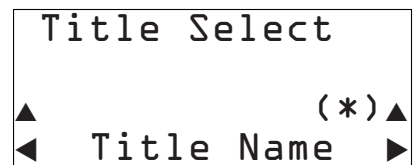
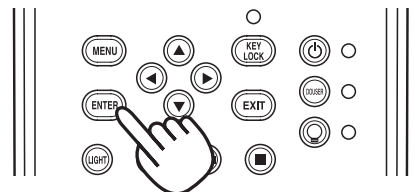


3. When **Title Select** is displayed, press **DOWN**.



4. Press **LEFT** or **RIGHT** to go through the list of available titles until you reach the title you wish to display.

5. Press **ENTER** to confirm your choice. The projector begins displaying the title. An asterisk mark (\*) appears on the LCD screen to indicate the current selection.



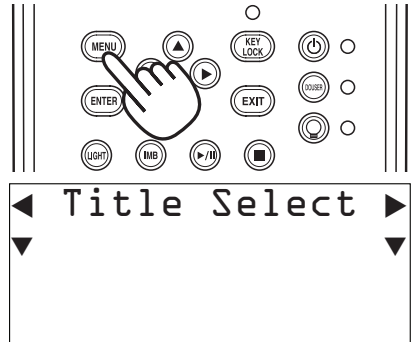
## Selecting a test pattern

Switch on the projector and, if necessary, unlock the keypad.

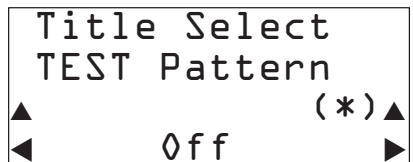
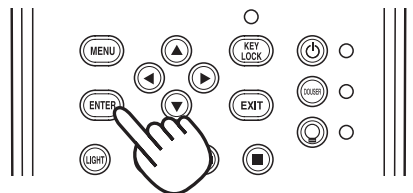
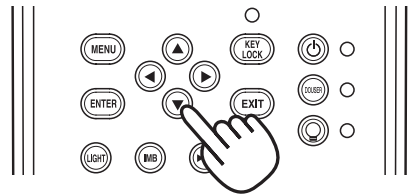
If the test pattern is assigned a shortcut, press the shortcut button and the projector will begin displaying the test pattern.

If there is no shortcut assigned to the test pattern:

1. Press the **MENU** button.
2. Press the **LEFT** or **RIGHT** button to cycle through the list of menus until **Title Select** appears on the LCD screen.
3. When **Title Select** is displayed, press **DOWN**.



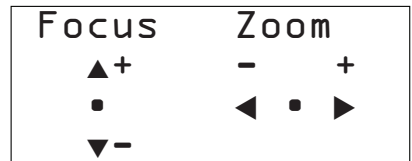
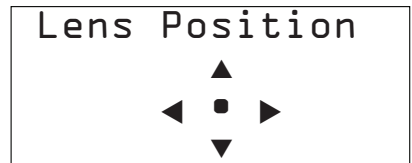
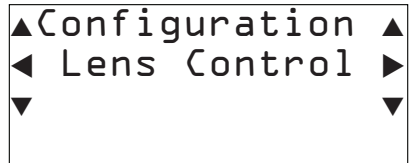
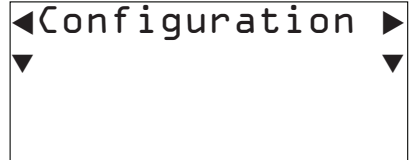
4. Press **LEFT** or **RIGHT** until **Title Select** is set to **TEST Pattern**.
5. Press **DOWN** again, then press **LEFT** or **RIGHT** to cycle through the list of test patterns.
6. When you have arrived at the test pattern you wish to display, press **ENTER** to confirm your choice. The projector begins displaying the test pattern. An asterisk mark (\*) appears on the LCD screen to indicate the current selection.



To cancel test pattern display, cycle through the list again and select OFF, then press **ENTER** to confirm your choice.

## Adjusting the lens

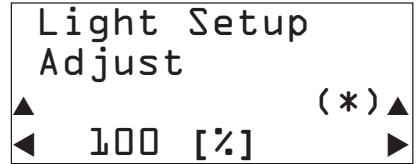
1. Press **MENU** to access the menus.
2. Press the **LEFT** or **RIGHT** arrow button repeatedly until the **Configuration** menu is displayed.
3. Press the **DOWN** arrow button once to access submenus, then navigate to the **Lens Control** submenu by pressing the **LEFT** or **RIGHT** arrow button.
4. Press **ENTER** to toggle between **Lens Position** and **Focus Zoom** modes. Adjust lens position, zoom and focus using the arrow buttons as follows:
  - In **Lens Position** mode, each arrow button shifts the lens in the indicated direction.
  - In **Focus Zoom** mode, **UP** and **DOWN** adjust focus, **LEFT** and **RIGHT** adjust zoom.
5. When adjustment is complete, press **EXIT** to return to the higher menu level. Press **EXIT** repeatedly until you reach the top level and exit the menus.



## Adjusting the brightness of the projected image (Light Setup)

To adjust the brightness of the projected image:

1. Press the **LIGHT** button. The **Light Setup** screen appears.
2. Press the **LEFT** and **RIGHT** arrow buttons to adjust the light output.
3. When adjustment is complete, press **EXIT** to return to the higher menu level. Press **EXIT** repeatedly until you reach the top level and exit the menus.





## Inserting a new lens



Before changing the lens, always make sure the projector is switched off and fully disconnected from its power supply.



When changing the lens, avoid using excessive force as this may damage the equipment.



Take care to preserve the original lens packaging and protective caps for future use.



The projector will not power on without the lens fitted.

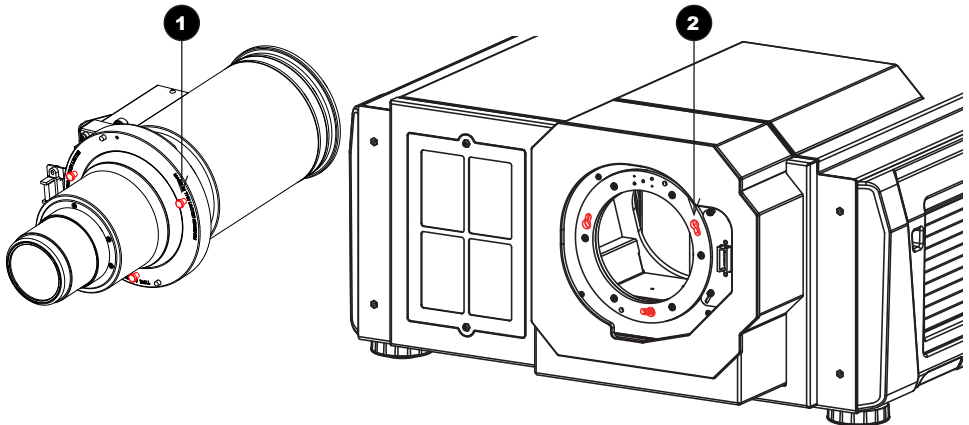


Before turning on the projector, please ensure the protective caps are removed from the front and rear of the lens.

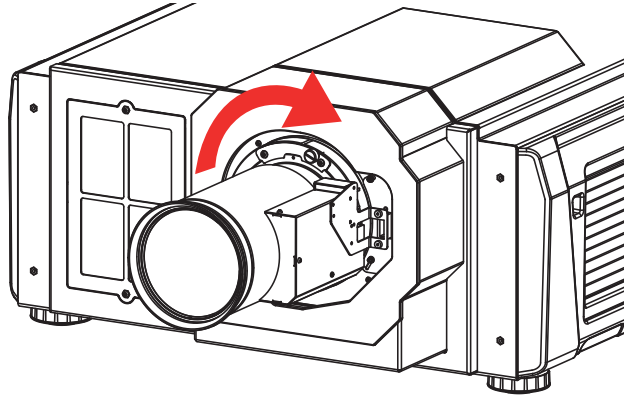


When a new lens is fitted, a calibration procedure must be carried out. For more information, see **Calibrating zoom and focus** in the user manual (*Installation and Quick-Start Guide*).

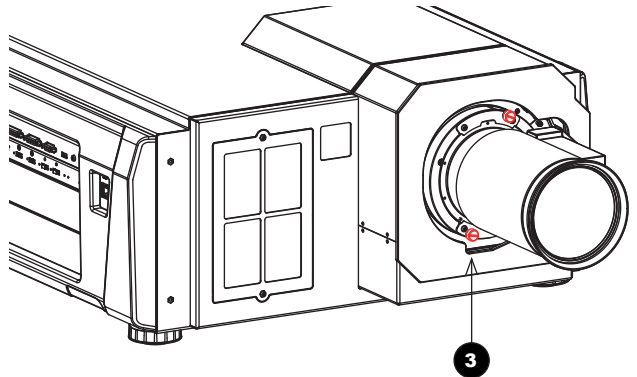
1. Insert the lens into the mount.  
Engage the three **locating studs** **1** into the corresponding **slots** **2** on the mount.



2. Rotate the lens clockwise until the studs slide all the way into the slots.



3. Tighten the two **fixing screws** **3** on the lens collar.



The two fixing screws must be tightened to at least a torque of 0.5 N-m using a screwdriver. Loose screws might lead to the lens falling off.

## Cleaning and replacing the rear air filters



Before changing the filters, always make sure the projector is switched off and fully disconnected from its power supply.

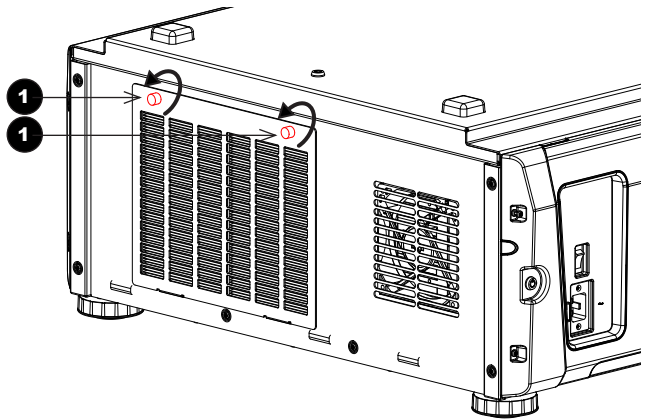


When changing the filters, avoid using excessive force as this may damage the equipment.

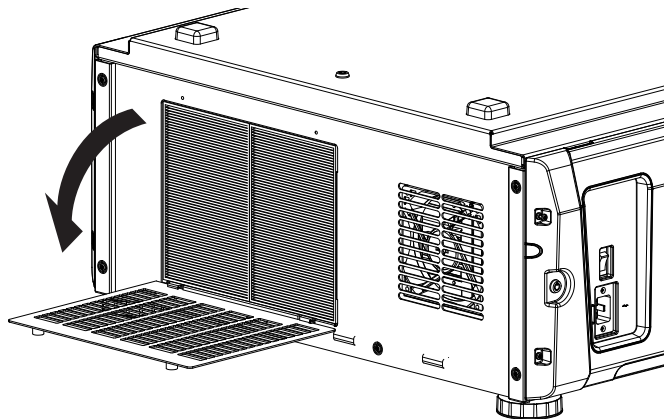
1. Loosen the two **knobs** **1** holding the filter cover by turning them counterclockwise. Use a Phillips screwdriver if necessary.



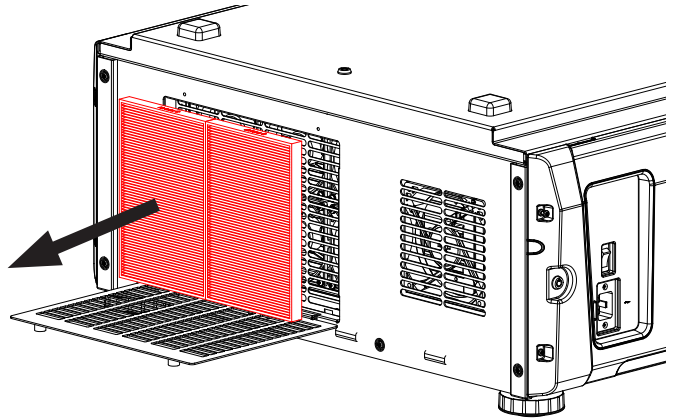
*The knobs are not removable.*



2. Tilt the filter cover to open it.

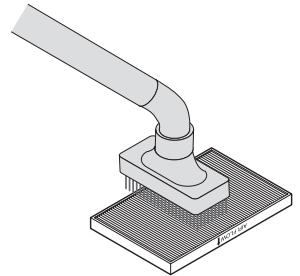


3. Remove the filters. Grasp the top and bottom or left and right ends of each air filter and remove it by pulling toward you.

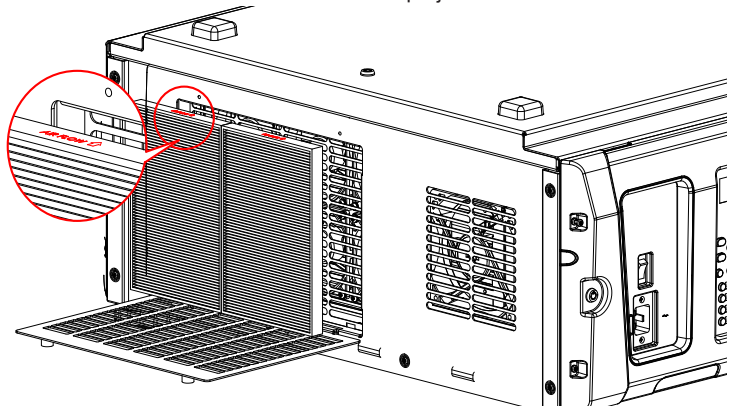


4. If you are replacing the filters, skip this step.

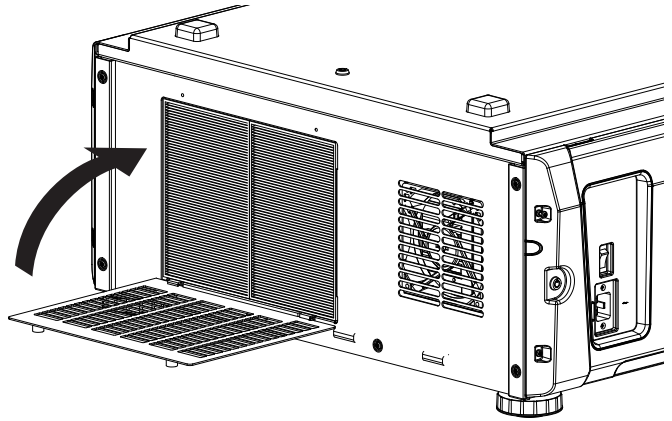
To clean the filters, use a vacuum cleaner brush attachment to vacuum away dust from the air filters. Avoid making direct contact without an attachment or using a nozzle attachment.



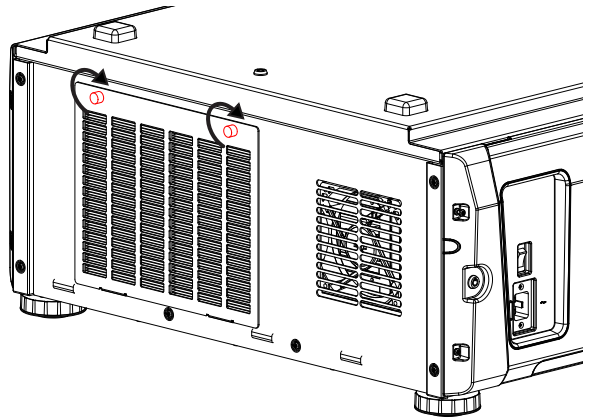
5. Mount the air filters to the projector. Look for an arrow (AIR FLOW↑) indicating the installation direction on the side of the air filter. Point the arrow towards the projector.



6. Close the filter cover.

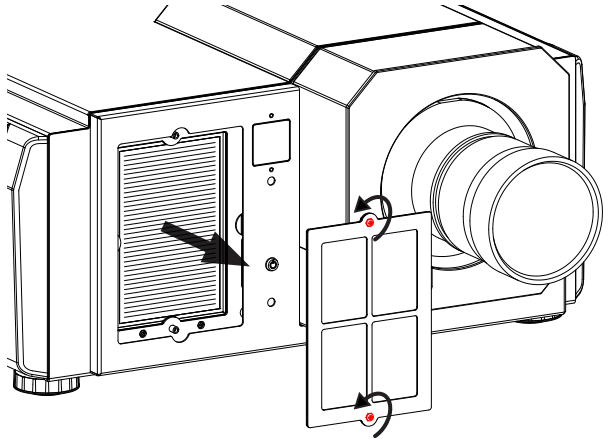


7. Tighten the knobs clockwise to secure the cover.

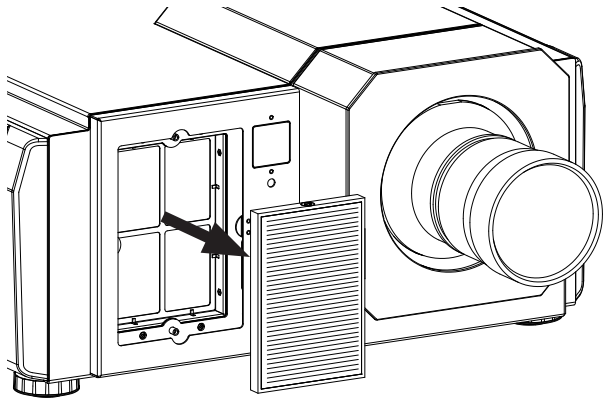


## Cleaning and replacing the front air filter

1. Loosen the two captive screws on the filter cover and remove the cover.

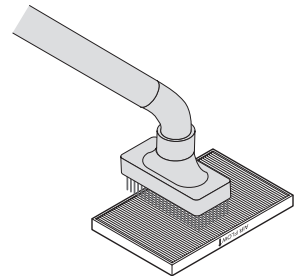


2. Remove the air filter.



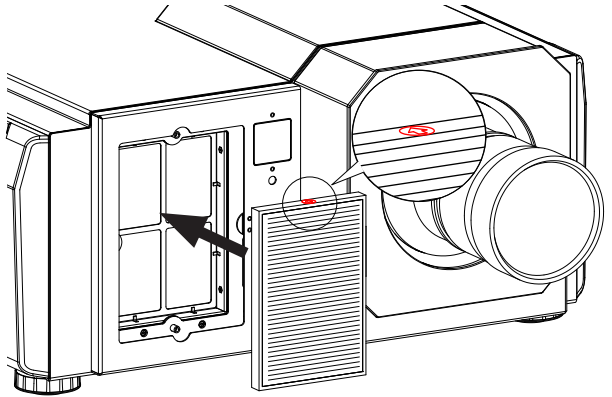
3. If you are replacing the filter, skip this step.

To clean the filter, use a vacuum cleaner brush attachment to vacuum away dust from the air filter. Avoid making direct contact without an attachment or using a nozzle attachment.

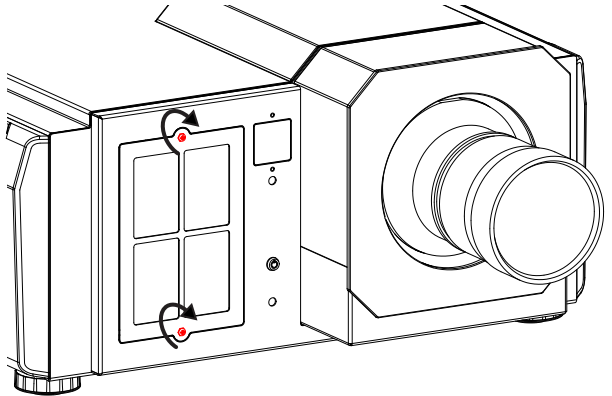


4. Mount the air filter to the projector.

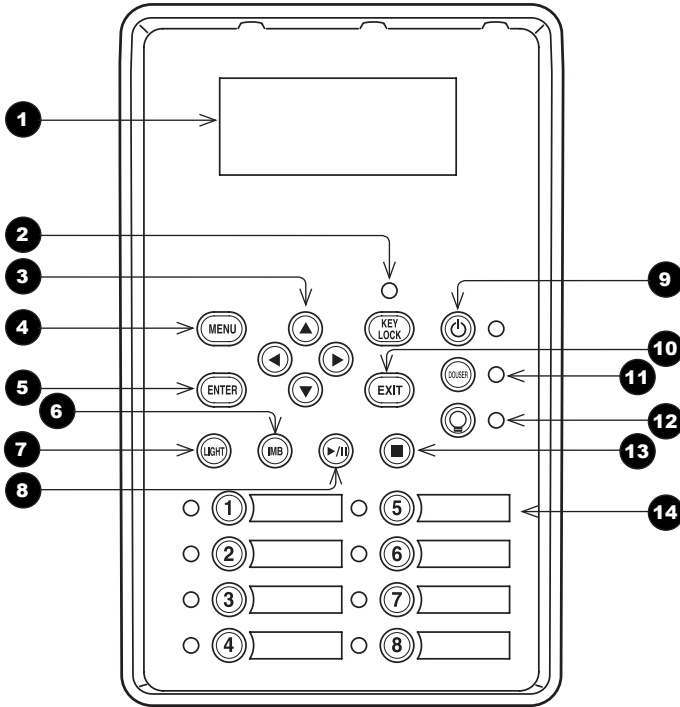
Look for an arrow indicating the installation direction on the side of the air filter. Point the arrow towards the projector.



5. Mount the filter cover to the projector. Tighten the two captive screws to secure the cover.



## Control Panel Reference



- |  |   |
|--|---|
| <b>1</b> LCD display   | <b>8</b> <i>not used in this configuration</i>    |
| <b>2</b> KEY LOCK button (with indicator)  | <b>9</b> POWER button (with indicator)            |
| <b>3</b> Arrow buttons   | <b>10</b> EXIT button                             |
| <b>4</b> MENU button   | <b>11</b> DOUSER button (with indicator)          |
| <b>5</b> ENTER button  | <b>12</b> LIGHT ON / OFF button (with indicator)  |
| <b>6</b> <i>not used in this configuration<br/>(except for entering<br/>alphanumeric values)</i> | <b>13</b> <i>not used in this configuration</i>   |
| <b>7</b> LIGHT button  | <b>14</b> Preset buttons 1 to 8 (with indicators) |



# 超高亮度数字视频投影机

## 重要信息

### 目录

用户手册中使用的符号.....	34
电气和物理规格.....	34
不能查看的激光器参数.....	34
标签.....	35
产品标签.....	35
其他标签.....	36
标签位置.....	37
激光光圈的位置.....	37
联锁开关.....	38
位置.....	38
联锁开关控件框图.....	38
重要安全说明.....	39
激光器警示信息.....	39
一般注意事项.....	40
安装和处置.....	40
轻危险警告.....	43
电源.....	44
火灾和电击注意事项.....	44
清洁.....	46
发光模块.....	46
联网配置.....	46
国际标准合规情况.....	47
射频干扰.....	47
机械噪音信息规范.....	47
关于废弃电气或电子设备的欧盟指令.....	47
DOC 合规声明.....	47
基础操作说明.....	48
屏幕与投影机的摆放位置.....	48
连接电源.....	49
接通投影机.....	50
关闭投影机.....	50
选择标题或测试模型.....	51
调整镜头.....	53
调整投射影像的亮度 (Light Setup).....	54
插入新的镜头.....	55
清洁和更换后部空气过滤器.....	57
清洁和更换前部空气过滤器.....	60
控制面板参考.....	62

有关投影机操作、连接和设置的完整信息，可以查看光盘上的《用户手册》。

## 用户手册中使用的符号

---



**激光警告：**该符号表示除非严格遵守使用说明，否则眼睛可能遭致激光辐射。



**轻危险警告：**该符号表示除非严格遵守使用说明本产品可能存在光辐射风险。



**电击警告：**该符号表示除非严格遵守使用说明，否则存在电击危险。



**警告：**该符号表示除非严格遵守使用说明，否则您本人或设备可能遭致物理伤害。



**注意：**该符号表示您应当阅读一些重要信息。



相关规格可能不经通知而发生变更。

## 电气和物理规格

---

电源电压	200-240 伏交流电 50-60 赫兹（单向）
工作温度	0° C 至 40° C (32 至 104F)
存放温度	-10° C 至 50° C (14 至 122F)
工作湿度	20% 至 80%，无凝露
重量	67 千克 (148 磅)，不含镜头
功耗	1600 瓦
散热	5027 BTU/小时

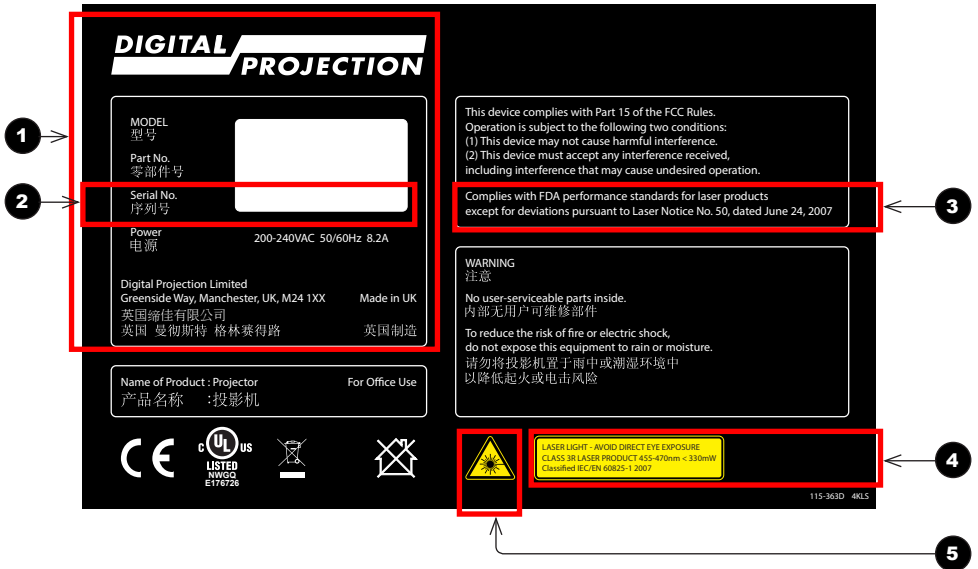
## 不能查看的激光器参数

---

波长	435 - 462 纳米
激光器功率分类	< 330 兆瓦
总内部功率	< 35 瓦
表面光源体积	光圈位置 < 10 毫米
发散角	≤ ± 7.3 - 28°，取决于镜头
工作模式	CW
调制，帧速	23 - 192 赫兹

# 标签

## 产品标签



产品标签信息：

- 1 **制造商信息**  
制造商的名称、地址和投影仪型号
- 2 **序列号**
- 3 **认证声明**  
遵守美国食品药品监督管理局有关激光器产品的性能标准  
但是，于 2007 年 6 月 24 日做出的《第 50 号激光器声明》规定的偏离事项除外
- 4 **说明标签**  
激光——避免眼睛直接暴露  
3R 级激光产品，455-470 纳米 < 330 兆瓦  
类别：IEC/EN 60825-1 2007
- 5 **危险警示符号**

## 其他标签

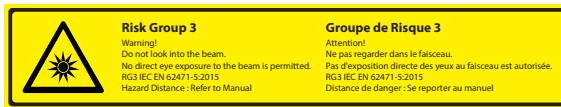
不适合家庭使用。



## 危险等级 3 警告标签

表示本产品可能存在光辐射风险。

本产品散发的热辐射可能会造成烧伤。



## 光圈标签以及危险警示符号



## 保护性外壳标签 (可以联锁)

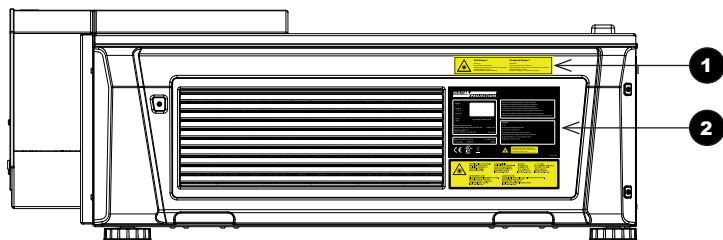
**CAUTION**  
**CLASS 4 LASER LIGHT WHEN OPEN**  
**AVOID EYE OR SKIN EXPOSURE TO**  
**DIRECT OR SCATTERED LIGHT**

由于本产品尚不提供客户服务，因此本产品外部没有张贴保护性外壳标签。保护性外壳标签仅张贴在产品内部。该标签位于顶盖下方。

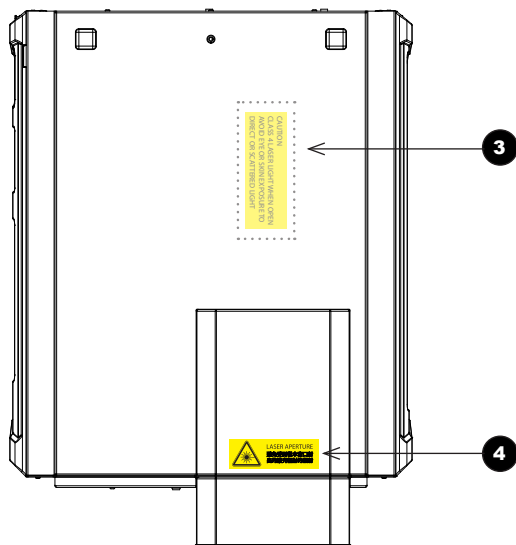


参见标签位置，了解标签位置信息，包括包括性外壳标签

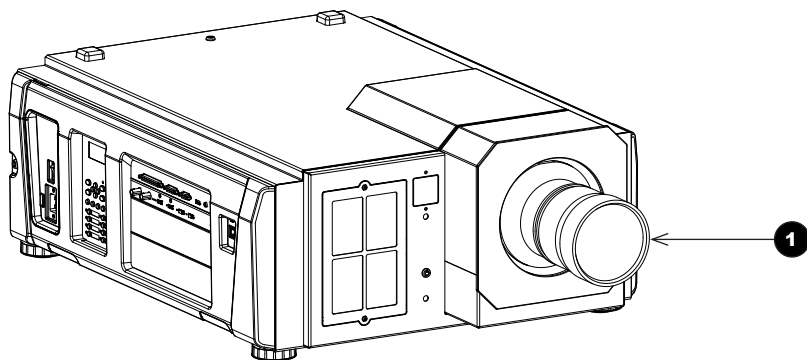
## 标签位置



- 1 危险等级 3 警告标签
- 2 产品标签
- 3 保护外壳标签（位于顶盖下方，仅维修人员可见）
- 4 光圈标签以及危险警示符号



## 激光光圈的位置

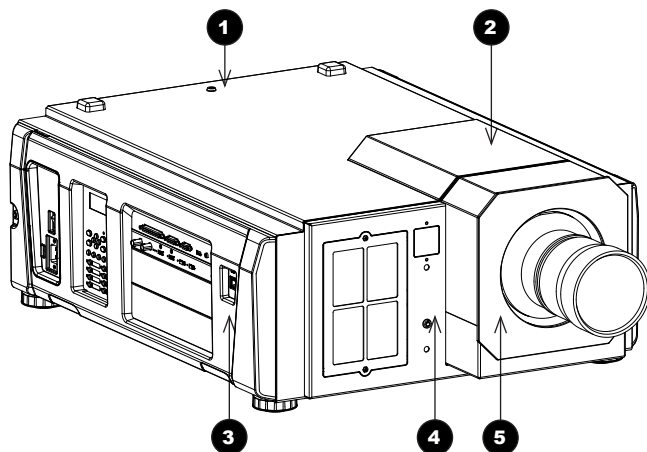


- 1 激光光圈

## 联锁开关

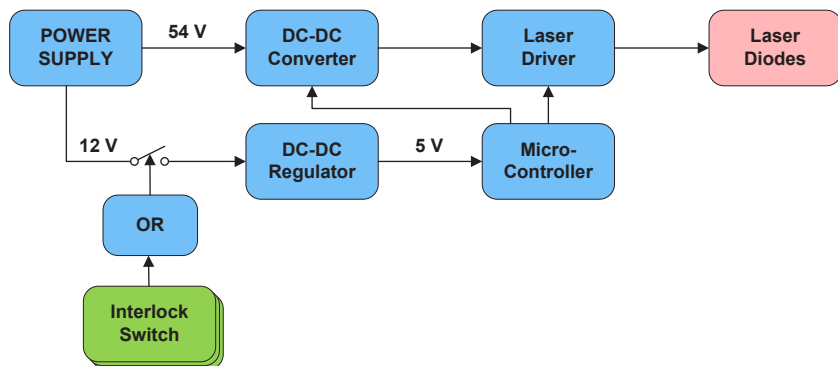
主机封盖内安装有五个联锁开关，这些开关一旦激活，将可独立切断系统电源。

### 位置



- ❶ 当顶盖打开时，将被激活。
- ❷ 当镜头被取下时，将被激活。
- ❸ 当侧盖被取下时，将被激活。
- ❹ x2。当前盖被取下时，将被激活。
- ❺ 当镜头盖被取下时，将被激活。

### 联锁开关控件框图

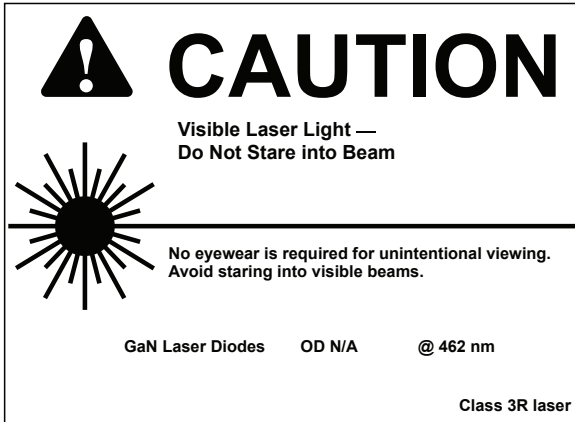


## 重要安全说明

这些安全信息旨在确保您能长时间使用投影仪设备，防止发生火灾、电击、损坏和人身伤害。请仔细阅读，并遵守所有警示信息。

### 激光器警示信息

本产品属于 IEC60825-1 3R 级，执行《联邦法规》第 21 编 1040.10 安全标准。



#### 3R 级激光器产品

在所有操作规程中，本款激光器产品设计为 3R 级产品。

**激光 - 避免眼睛直接暴露。**

不要也不得允许他人将激光器或激光指向或反射到其他人或反射性物体上。

直射光或散射光可能给眼睛和皮肤造成危险。

如果没有遵守所附说明书，可能使眼睛暴露于激光辐射之下。

**小心——**如果在使用控制、调整设备，或执行相关程序时，没有遵守本手册规定，则可能遭致危险的激光辐射。

**2 级范围。**根据 IEC 60825-1 标准，3R 级激光器产品可以产生少量激光辐射危险，在非光束内观看是安全的。推荐观众距离镜头盖出口平面 100 厘米之外，并将激光辐射危险降低至更为安全的 2 级辐射。

**非激光放射。**投影镜头还存在非激光放射。这部分放射已经根据 IEC/EN 62471 标准进行测试，属于 1 号风险组（低风险）。

## 一般注意事项



本款产品属于 A 级产品。根据《美国联邦通信委员会规定》第 15 编，本设备经过测试，符合 A 级数字设备限值。这些限值的设置旨在确保相关设备在商业环境下工作时，可以合理地防止产生有害干扰。

在住宅区域操作本设备，可能造成有害干扰，此时使用者需要自行修正该有害干扰。

为了减少对广播和电视信号接收的干扰，请使用铁芯信号电缆。如果使用无铁芯，则可能干扰广播和电视信号的接收。



当本设备出现缺陷时，或者封盖或密封件受损时，不得使用本设备。



最终用户不得打开或修改本产品。

最终用户不得自行维护。

不得打开机壳。机壳内部没有用户可以自行维修的部件。

除非经过授权的人员，不得进行设备维修。

## 安装和处置



投影仪的安装必须由具有适当资格的人员完成，并且遵守当地的建筑规范。

关于投影仪的运输和安装，请咨询您的经销商。不要尝试自行运输和安装投影仪。投影仪必须由具备资格的技术人员安装，以确保设备的正常进行，减少人身伤害风险。



不得将投射光束指向他人或反光物体。



投影仪的安装位置应当尽量靠近电源插座。

电源连接应当方便使用，以便在紧急情况下切断电源。



将投影仪放置到干燥、平坦、水平的表面，防止灰尘和潮湿。如果投影仪前部沿水平面上面移动，可能减少激光器的使用寿命。当激光器打开时，不要将投影仪侧放。否则，可能造成投影仪损坏。



不要将投影仪直接暴露在阳光下，靠近加热器或散热设备。如果直接暴露于阳光、烟气或蒸汽，可能损坏内部元件。

不要使投影仪淋雨或受潮，不得在投影仪上方放置任何液体。

不要将投影仪暴露于灰尘。



小心搬运投影仪。如果投影仪摔落或震动，可能损坏内部元件。

在搬运投影仪时，至少需要四人完成。

在移动投影仪时，不要抓住镜头。否则，投影仪可能翻转或跌落，造成人身伤害。



在安装之前，确保支承投影仪的表面、天花板或索具能够支承投影仪和镜头的合并重量。



不得在投影仪顶上放置较重物体。





在移动投影机之前，关闭投影机电源，拔下电缆。



在搬运投影机/备选镜头时的注意事项

在搬运投影机时，如果投影机上装有镜头，则在搬运之前，需要取下镜头。当镜头从投影机上取下时，总要装上防尘盖。如果在运输过程中发生不当搬运，可能损坏镜头和镜头位移装置。



如果海拔大约在 5500 英尺/1600 米以上，则需要配置冷却风扇设置。请事先咨询您的经销商。



如果您希望将投影机吊装到天花板上：

**不要尝试自行安装投影机。**

投影机必须由具备资格的技术人员安装，以确保设备的正常进行，减少人身伤害风险。

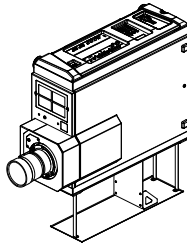
此外，天花板的强度必须足够支撑投影机，并且安装行为必须符合当地的建筑规范。

如果安装在天花板上，应当总是使用后备保险链或保险绳。

更多信息，请咨询您的经销商。



如果是竖版安装，需要在投影机下方安装安全挡板（如下图所示）。如果是未经授权人员，则不应尝试竖版安装。如果您希望竖版使用投影机，请联系 Digital Projection 或经销商。





当投影仪开机时，不要使用配备的镜头盖等物体遮盖镜头。否则，光线输出可能导致镜头盖变形或熔化，导致手部烫伤。

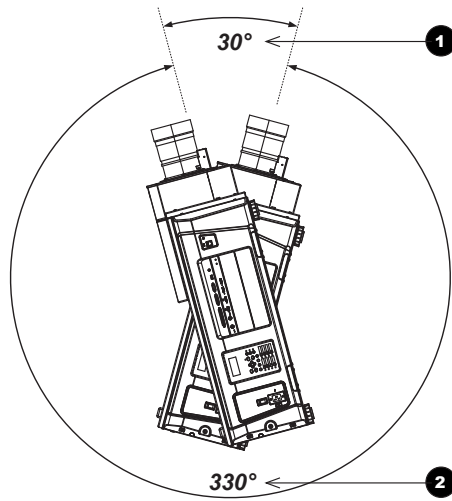
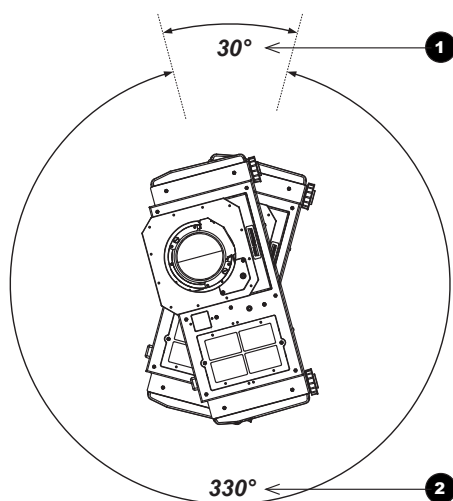
不要在投影仪镜头之前，放置任何容易受到热量影响的物体。否则，光线输出的热量可能导致物体熔化。



投影仪在许多位置都可操作。投影仪只在以下角度不能工作：

- 使用竖版模式，并且输入口朝下的情况。
- 使用直立模式，并且镜头朝上的情况。

下图显示了投影仪的两个位置，以及不能工作的角度和 **1** 可以工作的角度。 **2**



投影仪在设计上不可相互叠加摆放，但使用托架除外。



当将投影仪叠放时，堆栈必须垂直，确保应力分散到机架的所有四个角。

## 轻危险警告

此投影机可能会发出危险的光辐射和热辐射，根据 IEC62471 标准分类为“危害等级3”。



若未能遵从以下事项，则可能导致重伤：

- 不允许直接暴露在光束中。
- 操作员必须将对光束的接触控制在危险距离内并将产品安装在可防止观察者眼睛在危险距离内接触光束的高度。

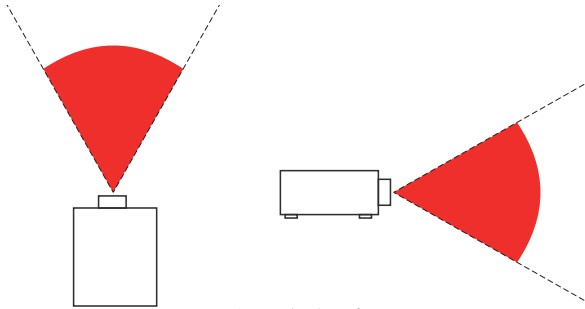
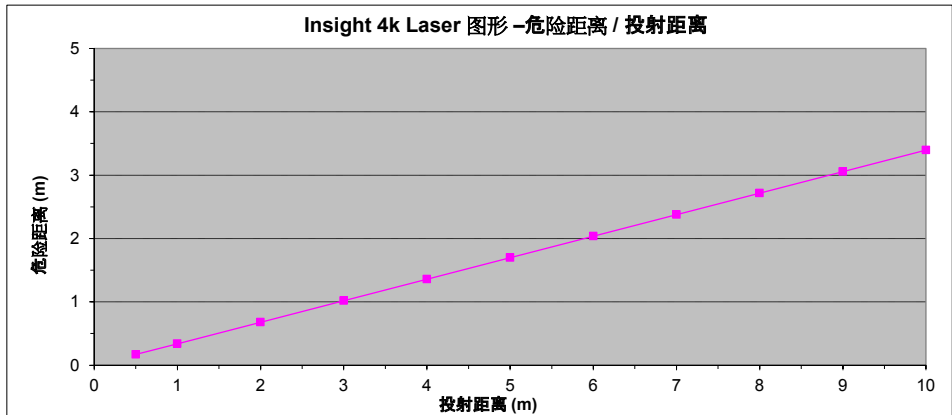


图1 - 危险距离

危险距离（图1）是从投影透镜测量的距离，在该距离处，每单位表面的强度或能量低于角膜或皮肤上的适用的曝光极限。如果人在危险距离内，则认为射束对于暴露是不安全的。



## 电源



投影仪的设计电源电压如下。

- 200–240 伏交流电，8.2 安培，50/60 赫兹，单相

在使用投影仪之前，请确认您的电源符合本项要求。

请仅使用我们提供的电缆。



在使用电源电缆时，应当达到您的投影仪所在国家的标准和电源电压。关于电缆的连接详情，请参考用户手册。



由于本设备必须接地，因此请确保电源输出口设有接地线。



请小心使用电源电缆。如果电源电缆发生损坏或磨损，可能导致电击或火灾。

- 不要过度弯折或拉伸电源电缆。
- 不要将电源电缆置于投影仪下方，或任何重物下方。
- 不要将柔软材料（例如，毛毯）覆盖在电源电缆上。
- 不要加热电源电缆。



如果将电源电缆和信号电缆放置过近，可能产生差拍噪声。如果发生差拍噪声，则应当将两条电缆分开，避免产生差拍噪声。所谓“差拍噪声”，是指图像画质变差，经常会看到有滚动条从图象中间穿过。



不要在雷雨天触碰投影仪或电源插头。否则，可能导致电击或火灾。



如果安装到天花板上，则应在容易够到的位置安装断路器。



当投影仪通电时，不要从墙壁插座或投影仪上拔下电源电缆。否则，可能损坏投影仪。在以下情况下，不要拔下插头：

- 在投射图象时
- 在投影仪关机后的冷却期间。（当风扇还在转动时，POWER 按钮的 LED 指示灯闪动绿色，同时 LCD 屏幕上显示“cooling...”。冷却风扇要持续工作 90 秒。）



在激光器打开之后 90 秒内，或者在 POWER 指示灯闪动绿色时，不要关闭交流电源。否则，可能导致激光器过早失效。



推荐使用墙壁插座，并且配备 20A 以上的断路器。

## 火灾和电击注意事项



确保保持足够通风，通风口没有阻塞，防止投影仪内部发生臭氧和热量积聚，造成危险。在投影仪和墙壁之间，至少保持 12 英寸（30 厘米）的空隙。尤其，在投影仪后面空气出口之前，保持至少 27.6 英寸（70 厘米）的通畅空间；在激光器侧空气出口之前，保持至少 19.8 英寸（50 厘米）的空间。



投影仪的安装位置不要靠近可能受到投影仪工作热量影响的任何东西，例如，聚苯乙烯天花板、窗帘等。



防止曲别针和纸屑等异物落入投影机。不要尝试取回任何可能落入投影机的物体。不要将导线或螺丝刀等任何金属物体插入投影机。如果有任何物体落入投影机，应当立即切断电源，并且让具备资格的维修人员移除异物。



在以下情况下，应当关闭投影机，拔下电源电缆，并且请具备资格的维修人员进行维修：

- 当电源电缆或插头受到损坏或磨损时。
- 当有液体泼溅到投影机内部，或者投影机淋雨或淋水时。
- 当您按照用户手册的指示进行操作，但投影机不能正常工作时。
- 当投影机跌落或外壳受损时。
- 当投影机的性能发生明显变化，需要进行维修时。



在投影机光束通过的路径上，不要放置放大镜等任何物品。镜头发出的光线具有发散性，因此，任何可能改变镜头光线方向的异物，可能造成意料之外的后果，例如，火灾或眼睛受伤等。



在使用网线时，出现安全原因，不要连接到周边设备连线的接口，这些接口可能电压过高。网线只可连接到计算机的 LAN 接口。其他类似接口也可能存在危险的高压电源。



当投影机开机时，不要向镜头里面看。否则，可能造成严重的眼睛伤害。



在投影机正常工作时，不要尝试触碰投影机的出风口；出风口热度较高。

## 清洁



在清洁机壳或更换激光器之前，关闭投影仪电源，拔下电源电缆。  
不要用湿手接触电源插头。否则，可能导致电击或火灾。



使用有潮气但没有浸湿的布，定期清洁机壳。如果脏污较重，应当使用温和的去污剂。千万不要使用酒精或稀释剂等强力清洁剂或溶剂。

使用吹尘球或镜头纸清洁镜头，小心不要刮伤或擦伤。

## 发光模块



本产品的光源采用发光模块，发光模块由多个激光二极管组成。这些激光二极管被密封到发光模块内。在性能上，发光模块不需要维护或维修。

最终用户不得更换发光模块。

关于发光模块的更换等信息，请联系具备资格的经销商。

## 联网配置



不得修改网络配置，除非您知道自己的行为或征求了网络管理员的意见。一旦您出错，可能会失去与投影仪的联接。在变更任何网络配置时，在应用变更之前，总要进行复核。对于原始配置和您做出的修改，总要保留书面记录。

软件更新必须由 Digital Projection 维修人员亲自完成或者在其监督下完成。

## 国际标准合规情况

---



### 射频干扰

警告此为A级产品，在生活环境中，该产品可能会造成无线电干扰，在这种情况下，可能需要用户对干扰采取切实可行的措施。

### 机械噪音信息规范

根据 EN ISO 7779 标准，本设备的最高声压等级低于 70 分贝。

### 关于废弃电气或电子设备的欧盟指令



Digital Projection 公司全力减少废弃的电气和电子设备。我们的产品在设计上，着眼于全部元件的重复利用、循环和回收。为此，您的投影仪设备在使用寿命结束时，可以退回 Digital Projection 公司或其代理商，以尽量减少环境影响。

### DOC 合规声明

本款 A 级数码设备符合《加拿大干扰设备管理规范》的所有要求。

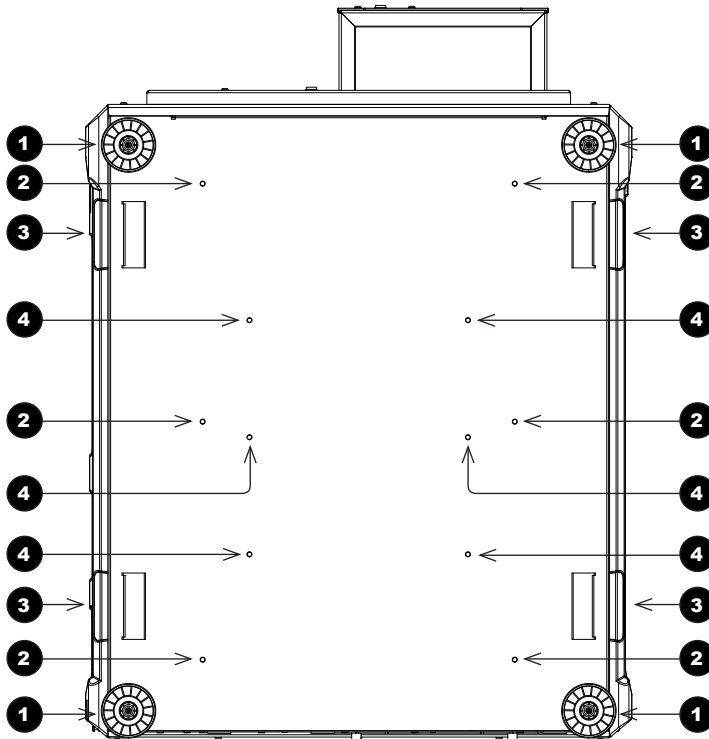
## 基础操作说明

### 屏幕与投影仪的摆放位置

安装应当仅由专职人员完成。

1. 安装屏幕，确保屏幕处于观众的最佳观看位置。
2. 安装投影仪，确保投影仪距离合适，使图像填满整个屏幕。调整可调底脚，使投影仪保持水平，并与屏幕垂直。

下图显示的是投影仪底部。桌面安装时的底脚位置以及悬挂安装时的固定孔位置清晰可见。下图还显示了四个把手的位置，以便于安全搬运。



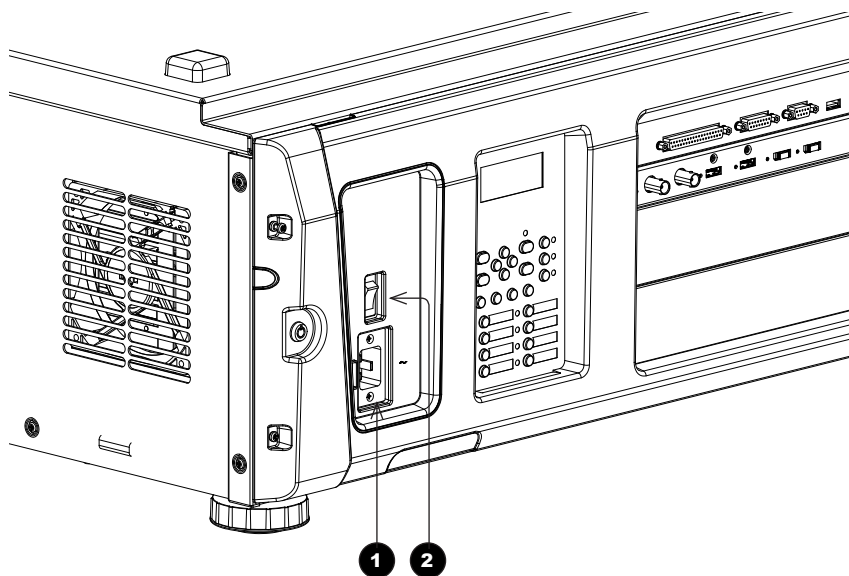
- 1 四个可调底脚
- 2 六个悬挂安装用 M6 固定孔 (A 组)  
螺钉插入投影仪内部的长度不应超过 15 毫米。
- 3 安全搬运用把手
- 4 六个悬挂安装用 M6 固定孔 (B 组)  
螺钉插入投影仪内部的长度不应超过 15 毫米。



## 连接电源

当从后面查看投影仪时，**主交流电源插口 1** 位于后方右侧。

首先确认插口上方的**电源开关 2** 处于 OFF 位置，然后将主电源插头稳稳插上。



请仅使用我们提供的电缆。

由于本设备必须接地，因此请确保电源输出口包括接地线。

请小心使用电源电缆，避免过度弯折。禁止使用已经损坏的电缆。

## 接通投影仪

1. 确认交流主电源插口上方的电源开关处于 OFF 位置。使用电源电缆连接干线电源与投影仪，然后接通电源。



另外，还请参见本指南前文的**连接电源**部分。

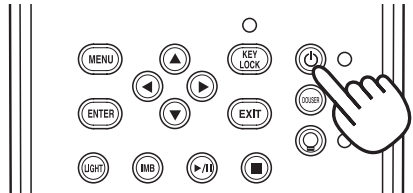
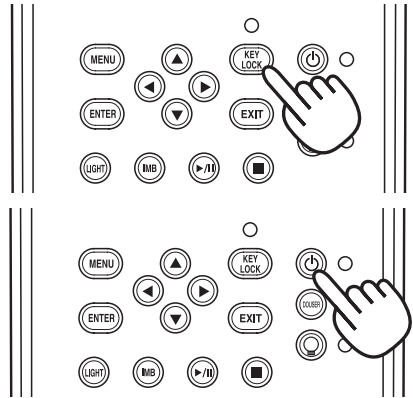
**SYSTEM** 状态指示灯显示稳定的黄灯，表明投影仪现在处于 STANDBY 模式。

2. (可选步骤) 如果在投影仪进入 STANDBY 模式后 30 秒内，没有按下任何按钮，则控制面板自行锁定。

要解锁控制面板，应当持续按下 **KEY LOCK** 按钮 1 秒钟以上。

3. 要从 STANDBY 模式切换到 ON 模式，应当持续按下 **POWER** 按钮 3 秒钟以上。

在起动过程中，**SYSTEM** 状态指示灯闪烁绿灯。当投影仪完全接通后，**SYSTEM** 状态指示灯显示稳定的绿灯。



## 关闭投影仪

1. 持续按下 **POWER** 按钮 3 秒钟以上。

光源断电，投影仪开始冷却。在冷却过程中，**SYSTEM** 状态指示灯闪烁黄灯。风扇继续工作，LCD 显示屏上显示一条信息，说明投影仪仍未断电。

当风扇关闭时，**SYSTEM** 状态指示灯显示稳定的黄灯，表明投影仪已经进入 STANDBY 模式。

2. 要完全关闭投影仪，应当将电源拨到 OFF 位置。



**在投影仪工作中或冷却时，不要从电源开关关闭投影仪，也不要断开电源线。**

**请仅使用我们提供的电缆。**

**由于本设备必须接地，因此请确保电源输出口包括接地线。**

**请小心使用电源电缆，避免过度弯折。禁止使用已经损坏的电缆。**

## 选择标题或测试模型

投影机在到货时，标题和测试模型已经配置完成。如果您需要修改配置，则应联系您的经销商。

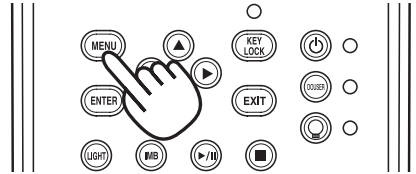
### 选择标题

连接您希望显示的标题，接通输入源，然后接通投影机。如果需要，解锁键盘。

如果该标题已被分配快捷键，则按下快捷键，投影机将开始显示该标题。

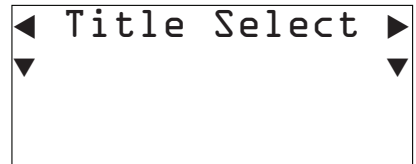
如果该标题没有被分配快捷键：

1. 按下 **MENU** 按钮。

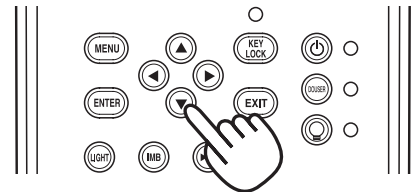


2. 按下**左右**按钮，从菜单表中选择，直至 **Title Select** 出现在 LCD 显示屏上。菜单表如下：

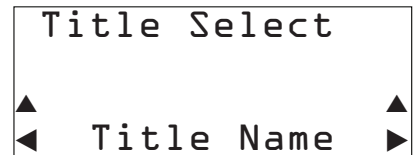
- **Title Select**
- **Configuration**
- **(Title Setup)**
- **Information**
- ...



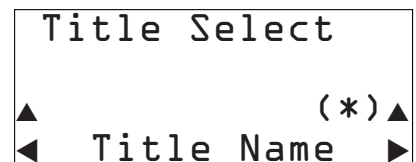
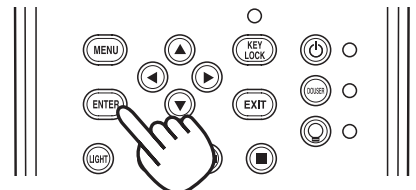
3. 当屏幕显示 **Title Select** 时，按下**向下**按钮。



4. 按下**左右**按钮，从现有标题中进行选择，直至看到您希望显示的标题。



5. 按下 **ENTER**，确认您的选择。投影机开始显示该标题。LCD 显示屏上将出现一个星号 (\*)，以表明当前选项。



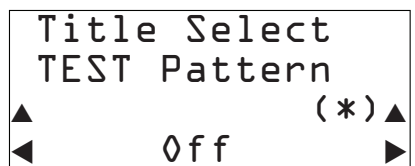
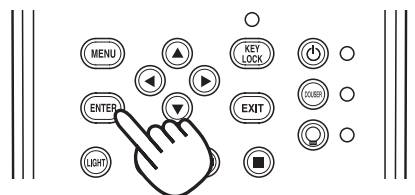
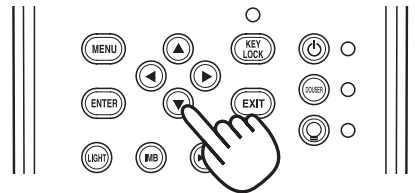
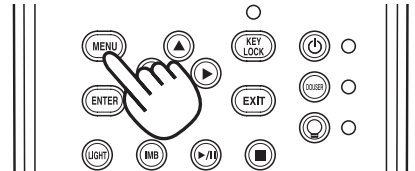
**选择测试模型**

接通投影仪；如果需要，解锁键盘。

如果该测试模型已被分配快捷键，则按下快捷键，投影仪将开始显示该测试模型。

如果该测试模型没有被分配快捷键：

1. 按下 **MENU** 按钮。
2. 按下**左右**按钮，从菜单表中选择，直至 **Title Select** 出现在 LCD 显示屏上。菜单表如下：
  - **Title Select**
  - **Configuration**
  - **(Title Setup)**
  - **Information**
  - ...
3. 当屏幕显示 **Title Select** 时，按下**向下**按钮。
4. 按下**左右**按钮，直至 **Title Select** 被设置成 **TEST Pattern**。
5. 再次按下**向下**按钮，然后按下**向左**或**向右**按钮，从测试模型表中选择。
6. 当您到达您希望选择的测试模型时，按下 **ENTER**，确认您的选择。投影仪开始显示该测试模型。LCD 显示屏上将出现一个星号 (\*)，表明当前选项。



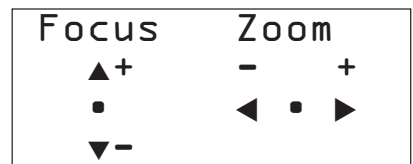
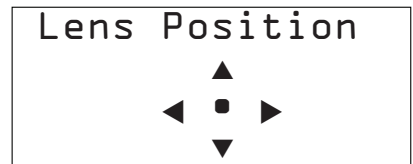
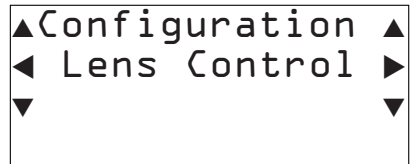
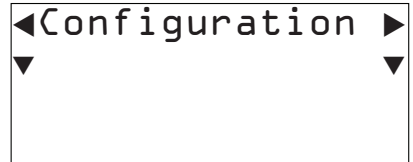
如果取消显示测试模型，则应再次进入测试模型表，选择 OFF，然后按下 **ENTER**，确认您的选择。

## 调整镜头

1. 按下 **MENU** 按钮。
2. 按下**左右**按钮，从菜单表中选择，直至 **Title Select** 出现在 LCD 显示屏上。菜单表如下：
  - **Title Select**
  - **Configuration**
  - **(Title Setup)**
  - **Information**
  - ...
3. 按下**向下**按钮，进入 **Configuration** 菜单，然后按下**左右**按钮，从配置项目的子菜单中进行选择，直至到达 **Lens Control**。

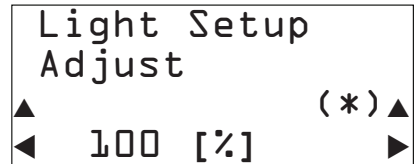
镜头控制分为两种模式：**Lens Position** 和 **Focus Zoom**。按下 **ENTER** 按钮，从两种模式之间进行切换。

- 在 **Lens Position** 模式下，使用箭头按钮，将镜头移动到需要的方向。
- 在 **Focus Zoom** 模式下，使用以下按钮：
  - **向上**和**向下**按钮可以修改焦距；
  - **向左**和**向右**按钮可以修改缩放。



## 调整投射影像的亮度 ( Light Setup )

1. 按下 **MENU** 按钮。
2. 按下**左右**按钮，从菜单表中选择，直至 **Title Select** 出现在 LCD 显示屏上。菜单表如下：
  - **Title Select**
  - **Configuration**
  - **(Title Setup)**
  - **Information**
  - ...
3. 按下**向下**按钮，进入 **Configuration** 菜单，然后按下**左右**按钮，从配置项目的子菜单中进行选择，直至到达 **Light Setup**。
4. 使用**左右**箭头按钮调整亮度。



## 插入新的镜头



在更换镜头之前，总要确保投影仪已经关闭，并且电源完全断开。



在更换镜头时，避免用力过大，以免损坏设备。



注意保存原始的镜头包装和保护盖，以备将来使用。

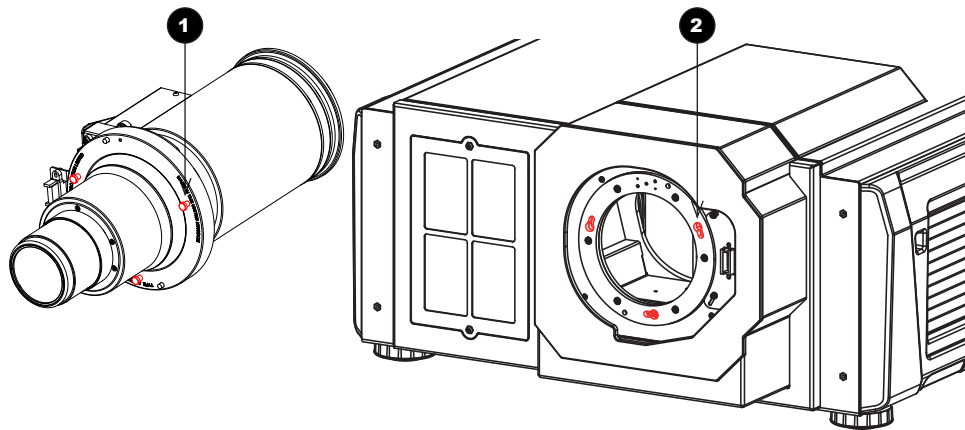


如果镜头没有安装，投影仪不会加电。

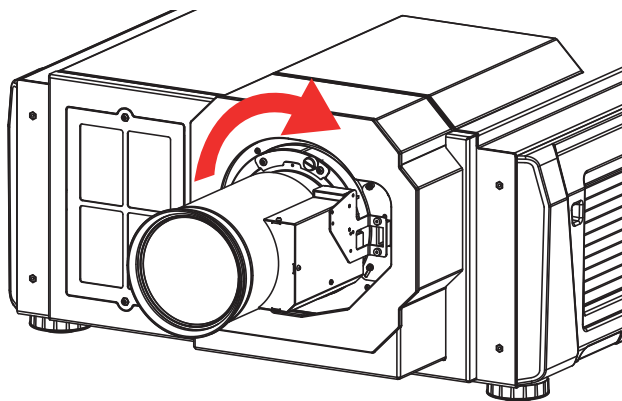


在打开投影仪之前，请确保镜头前部和后部的保护盖已经取下。

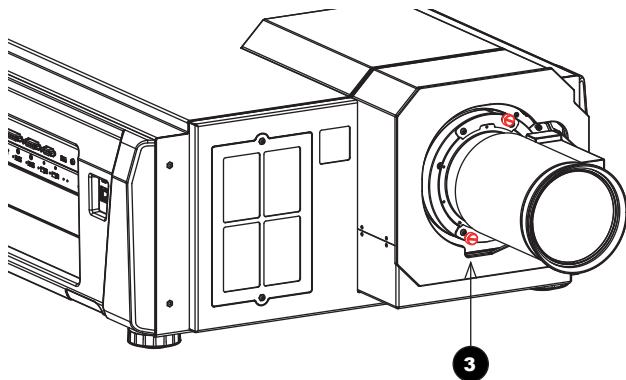
1. 将镜头插入底座。  
将三根**定位螺栓**安装到底座相应的**1**插口**2**。



2. 顺时针旋转镜头，直至螺栓完全进入插口。



3. 上紧镜头套圈处的**固定螺钉** 3。



必须使用螺丝刀，将两颗固定螺丝拧紧，并且至少应当达到 0.5 N-m 扭矩。如果螺钉不紧，可能导致镜头脱落。



## 清洁和更换后部空气过滤器



在更换过滤器之前，总要确保投影机已经关闭，并且电源完全断开。

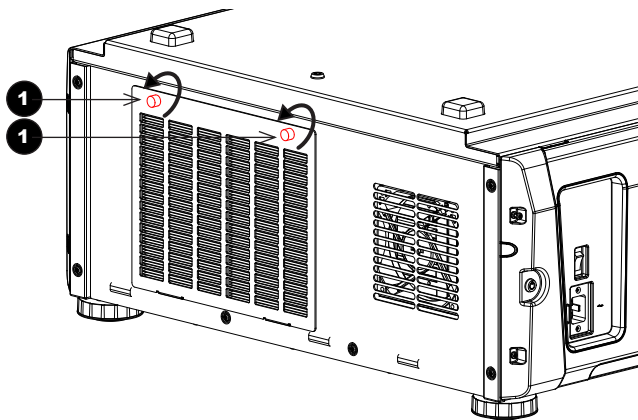


在更换过滤器时，避免用力过大，以免损坏设备。

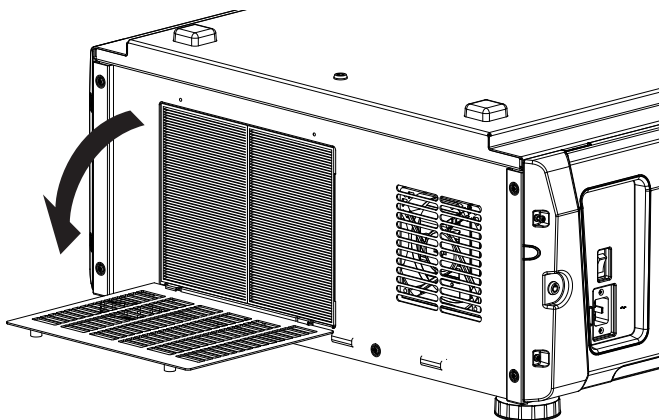
1. 过滤器盖板有两颗固定用**旋钮 1**，逆时针旋转并松开旋钮。必要时，可以使用菲利普螺丝刀。



可拆卸盖板上的旋钮为系紧旋钮。



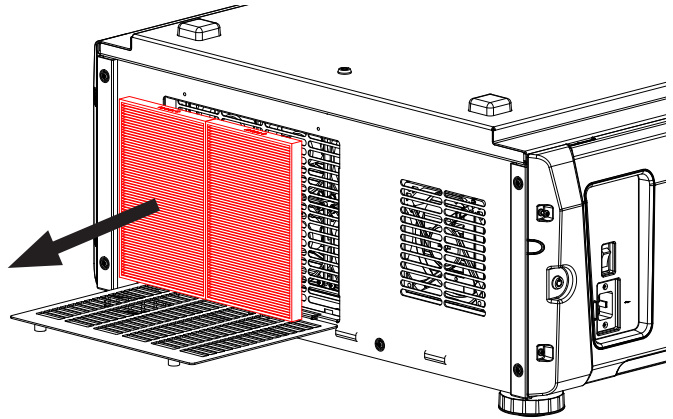
2. 将过滤器盖板倾斜后打开。



- 取下过滤器。抓住每个空气过滤器的上下两端或左右两侧，将过滤器向自己的方向拉出后取下。

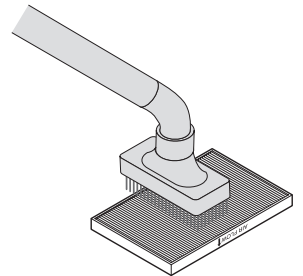


在正常环境下，过滤器应当每 2000 小时更换一次。

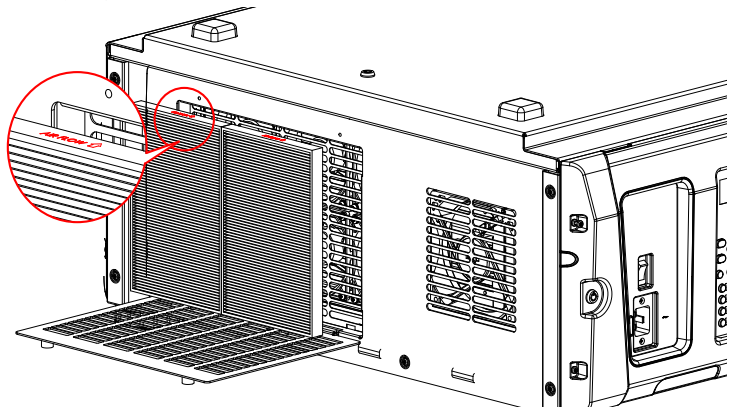


- 如果您要更换过滤器，则跳过本步骤。

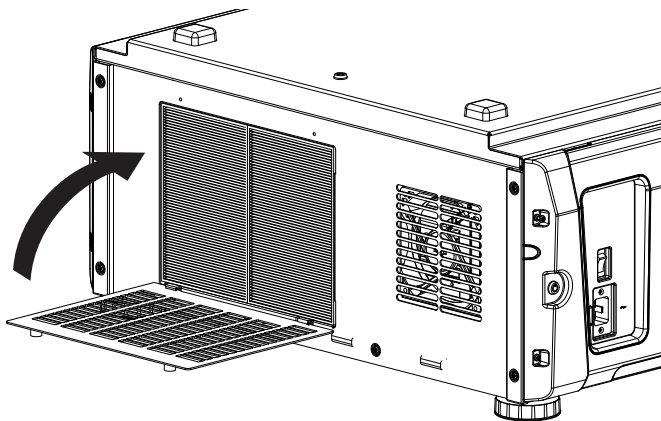
清洁过滤器时，应当使用真空吸尘器的刷头，对空气过滤器进行真空吸尘。请使用附带的刷子或吸嘴，避免直接接触。



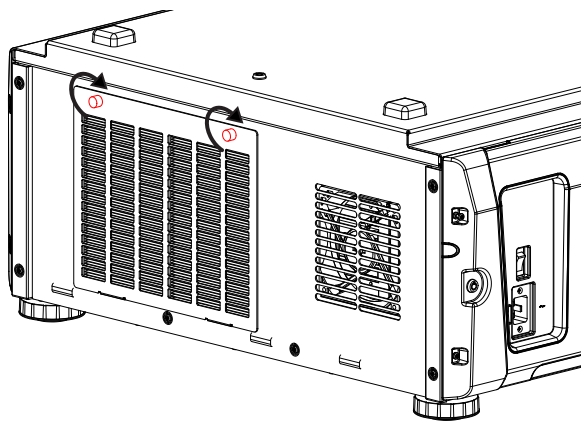
- 将空气过滤器安装到投影仪上。注意观察空气过滤器侧边的箭头指向（气流方向↑），该箭头指示的是安装方向。将箭头指向投影仪的方向。



6. 关闭投影仪盖板。

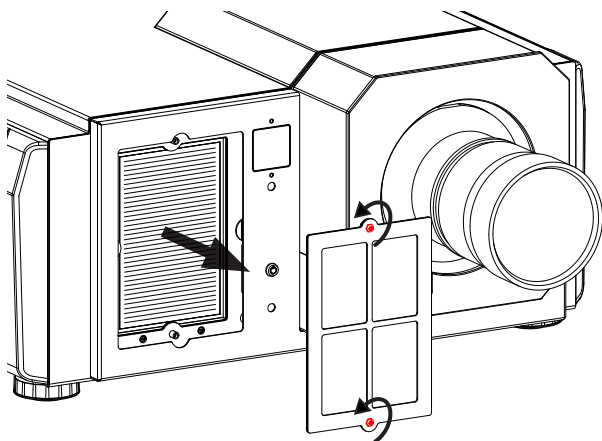


7. 按顺时针方向拧紧旋钮，固定盖板。

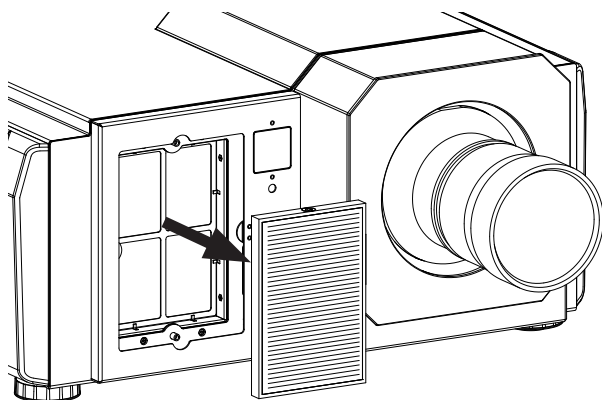


## 清洁和更换前部空气过滤器

1. 松开过滤器盖板上的两颗系紧螺钉，取下盖板。

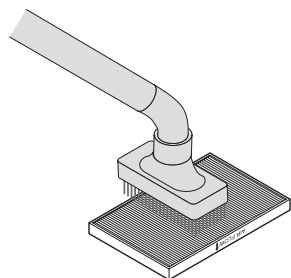


2. 取下空气过滤器。



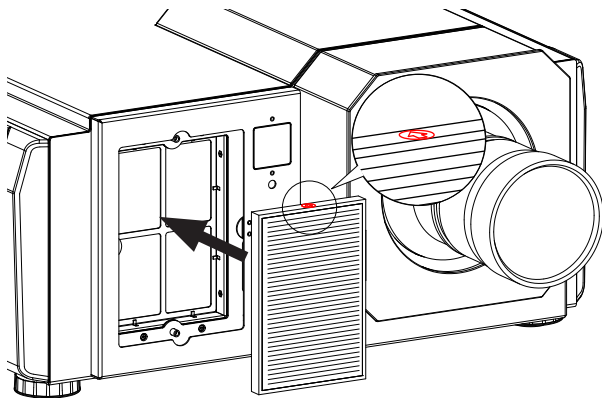
3. 如果您要更换过滤器，则跳过本步骤。

清洁过滤器时，应当使用真空吸尘器的刷头，对空气过滤器进行真空吸尘。请使用附带的刷子或吸嘴，避免直接接触。

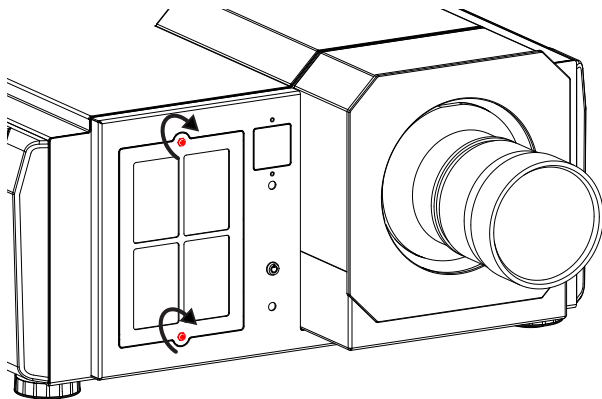


4. 将空气过滤器安装到投影仪上。

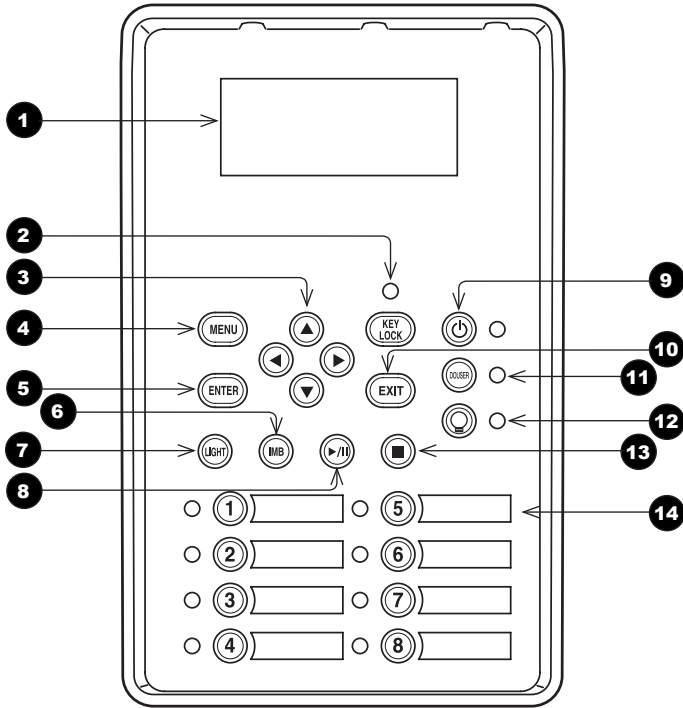
注意观察空气过滤器侧边的箭头指向，该箭头指示的是安装方向。将箭头指向投影仪的方向。



5. 将过滤器安装到投影仪上。拧紧两颗系紧螺钉，固定盖板。



## 控制面板参考



- |  |                             |
|--|-----------------------------|
| <b>1</b> LCD 显示器                       | <b>8</b> 未在本项配置中使用          |
| <b>2</b> 按键锁定按钮 (带指示灯)                 | <b>9</b> 未在本项配置中使用          |
| <b>3</b> 箭头按钮                          | <b>10</b> 退出按钮              |
| <b>4</b> 菜单按钮                          | <b>11</b> 遮光板按钮 (带指示灯)      |
| <b>5</b> 输入按钮                          | <b>12</b> 灯光开关按钮 (带指示灯)     |
| <b>6</b> 未在本项配置中使用<br>(但输入字母数字混合数值时除外) | <b>13</b> 未在本项配置中使用         |
| <b>7</b> 灯光按钮                          | <b>14</b> 预设按钮 1 至 8 (带指示灯) |